



**LANGE** 

DOC022.L1.80451

## **Pocket Colorimeter II**

08/2014, Edition 1

**Basic User Manual  
Basis-Bedienungsanleitung  
Manuale di base per l'utente  
Manuel d'utilisation de base  
Manual básico del usuario  
Manual básico do utilizador  
Basisgebruikershandleiding**

English .....	3
Deutsch .....	20
Italiano .....	39
Français .....	57
Español .....	74
Português .....	92
Nederlands .....	111

# Table of contents

[Specifications](#) on page 3

[General information](#) on page 4

[Startup](#) on page 7

[User interface and navigation](#)  
on page 9

[Operation](#) on page 11

[Maintenance](#) on page 16

[Troubleshooting](#) on page 17

[Replacement parts](#) on page 18

## Additional information

Additional information is available on the manufacturer's website.

## Specifications

Specifications are subject to change without notice.

Specification	Details
Dimensions (W x D x H)	6.1 x 3.2 x 15.2 cm (2.4 x 1.25 x 6 in.)
Enclosure	IP67, waterproof at 1 m (3.3 ft) for 30 minutes (battery compartment not included). Keep out of direct sunlight.
Light source	Light emitting diode (LED)
Detector	Silicon photodiode
Display	LCD with backlight
Weight	0.2 kg (0.43 lb)
Pollution degree	2
Installation category	I
Protection class	3
Power requirements	4 AAA batteries; approximate life of 2000 tests (use of backlight decreases this number) Rechargeable batteries are not recommended.
Operating environment	0 to 50 °C (32 to 122 °F), 0 to 90% relative humidity non-condensing
Storage temperature	-20 to 55 °C (-7.6 to 131 °F)
Photometric precision	± 0.0015 Abs
Wavelength	Fixed wavelength ±2 nm, different for each model

Specification	Details
Filter bandwidth	15 nm
Absorbance range	0 to 2.5 Abs
Sample cell path length	1 cm (5–10 mL), 25 mm (10 mL)
Data storage	Last 10 measurements
Certifications	CE mark
Warranty	2 years

## General information

In no event will the manufacturer be liable for direct, indirect, special, incidental or consequential damages resulting from any defect or omission in this manual. The manufacturer reserves the right to make changes in this manual and the products it describes at any time, without notice or obligation. Revised editions are found on the manufacturer's website.

## Safety information

### NOTICE

The manufacturer is not responsible for any damages due to misapplication or misuse of this product including, without limitation, direct, incidental and consequential damages, and disclaims such damages to the full extent permitted under applicable law. The user is solely responsible to identify critical application risks and install appropriate mechanisms to protect processes during a possible equipment malfunction.

Please read this entire manual before unpacking, setting up or operating this equipment. Pay attention to all danger and caution statements. Failure to do so could result in serious injury to the operator or damage to the equipment.

Make sure that the protection provided by this equipment is not impaired. Do not use or install this equipment in any manner other than that specified in this manual.

## Use of hazard information

### **▲ DANGER**

Indicates a potentially or imminently hazardous situation which, if not avoided, will result in death or serious injury.

### **▲ WARNING**

Indicates a potentially or imminently hazardous situation which, if not avoided, could result in death or serious injury.

### **▲ CAUTION**



Indicates a potentially hazardous situation that may result in minor or moderate injury.

### **NOTICE**

Indicates a situation which, if not avoided, may cause damage to the instrument. Information that requires special emphasis.

## Precautionary labels

Read all labels and tags attached to the instrument. Personal injury or damage to the instrument could occur if not observed. A symbol on the instrument is referenced in the manual with a precautionary statement.

	This symbol, if noted on the instrument, references the instruction manual for operation and/or safety information.
	Electrical equipment marked with this symbol may not be disposed of in European domestic or public disposal systems. Return old or end-of-life equipment to the manufacturer for disposal at no charge to the user.

## Certification

### **Canadian Radio Interference-Causing Equipment Regulation, IECs-003, Class A:**

Supporting test records reside with the manufacturer.

This Class A digital apparatus meets all requirements of the Canadian Interference-Causing Equipment Regulations.

Cet appareil numérique de classe A répond à toutes les exigences de la réglementation canadienne sur les équipements provoquant des interférences.

### **FCC Part 15, Class "A" Limits**

Supporting test records reside with the manufacturer. The device complies with Part 15 of the FCC Rules. Operation is subject to the following conditions:

1. The equipment may not cause harmful interference.
2. The equipment must accept any interference received, including interference that may cause undesired operation.

Changes or modifications to this equipment not expressly approved by the party responsible for compliance could void the user's authority to operate the equipment. This equipment has been tested and found to comply with the limits for a Class A digital device, pursuant to Part 15 of the FCC rules. These limits are designed to provide reasonable protection against harmful interference when the equipment is operated in a commercial environment. This equipment generates, uses and can radiate radio frequency energy and, if not installed and used in accordance with the instruction manual, may cause harmful interference to radio communications. Operation of this equipment in a residential area is likely to cause harmful interference, in which case the user will be required to correct the interference at their expense. The following techniques can be used to reduce interference problems:

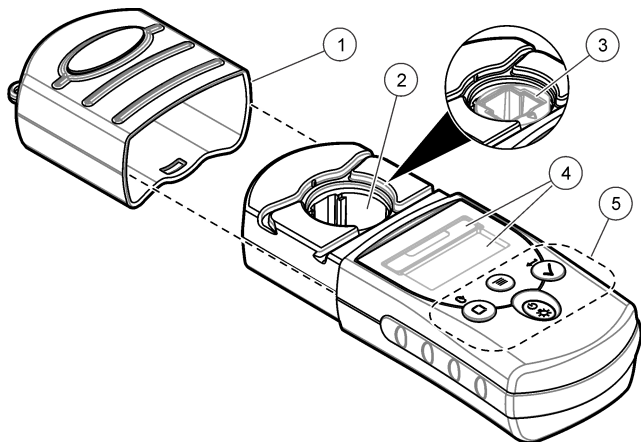
1. Move the equipment away from the device receiving the interference.
2. Reposition the receiving antenna for the device receiving the interference.
3. Try combinations of the above.

### **Product overview**

This instrument is a portable filter photometer used for testing water. Refer to [Figure 1](#). This instrument is configured at the factory to measure one or two specific parameters. This instrument is calibrated at the factory. No user calibration is necessary.

**Note:** *This instrument has not been evaluated to measure chlorine and chloramines in medical applications in the United States.*

**Figure 1 Instrument overview**



1 Instrument cap	3 Cell holder with 1-cm cell adapter <sup>1</sup>	5 Keypad
2 Cell holder	4 Display	

<sup>1</sup> Factory installed in some models

## Startup

### Install the batteries

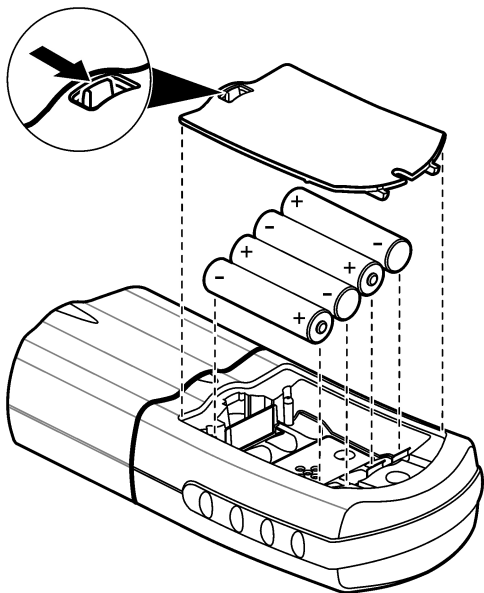
#### **▲ WARNING**



Explosion hazard. Incorrect battery installation can cause the release of explosive gases. Be sure that the batteries are of the same approved chemical type and are inserted in the correct orientation. Do not mix new and used batteries.

Install the batteries as shown in [Figure 2](#).

**Figure 2 Install the batteries**

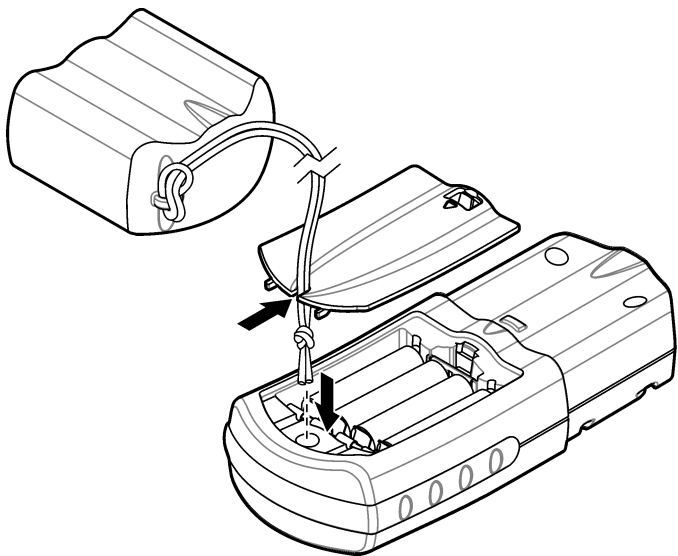




## Install the cap cord

Attach the cap cord to prevent loss of the instrument cap. Refer to [Figure 3](#).

**Figure 3** Install the cap cord

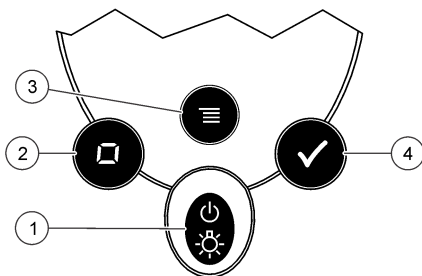


## User interface and navigation

### Keypad description

[Figure 4](#) shows the keypad and gives the key functions.

**Figure 4 Keypad**



<b>1 Power/Backlight key:</b> Sets the power to on and off. Push and hold for 1 second to set the backlight to on or off.	<b>3 Menu key:</b> Enters and goes out of menu mode.
<b>2 Zero/Scroll key:</b> Sets the instrument to zero, scrolls through menu options and numbers	<b>4 Read/Enter key:</b> Starts a sample measurement, selects a menu option, moves the cursor to the next digit

## Display description

Figure 5 shows the values and icons shown on the display.




**Figure 5 Display**



<b>1 Numeric display:</b> Measured value or menu options	<b>4 Menu icon:</b> The instrument is in menu mode.
<b>2 Range icon:</b> Selected range or parameter	<b>5 Calibration adjusted icon:</b> The factory default calibration was adjusted or a user-entered calibration curve was entered. Refer to the expanded user manual on the manufacturer's website.
<b>3 Range value:</b> Range(s) or parameters	<b>6 Low battery icon:</b> Battery level is 10%. Flashes when the battery level is too low to complete measurements.

## Operation

### Configure the instrument

1. Push .
2. Push  to scroll through the menu options. Push  to select an option.

Option	Description
<b>SEL</b>	Sets the measurement range or parameter. Push  to toggle between the measurement ranges or parameters.
<b>00:00</b>	Sets the time in 24-hour format (hh:mm). Push  to change the time. Push  to change the first digit, then  to go to the next digit.

## Option Description

**rCL** Shows the last 10 measurements recorded. Push ✓ to show the recorded measurements (01—most recent measurement, 10—oldest measurement). Push ✓ to scroll through the measurements. To select a measurement by number, push □ to select the number and then ✓. Push ≡ to go out of this option.

**SCA** Refer to the expanded user manual on the manufacturer's website.

3. Push ≡ to go back to measurement mode.

## Run a test


### ⚠ WARNING



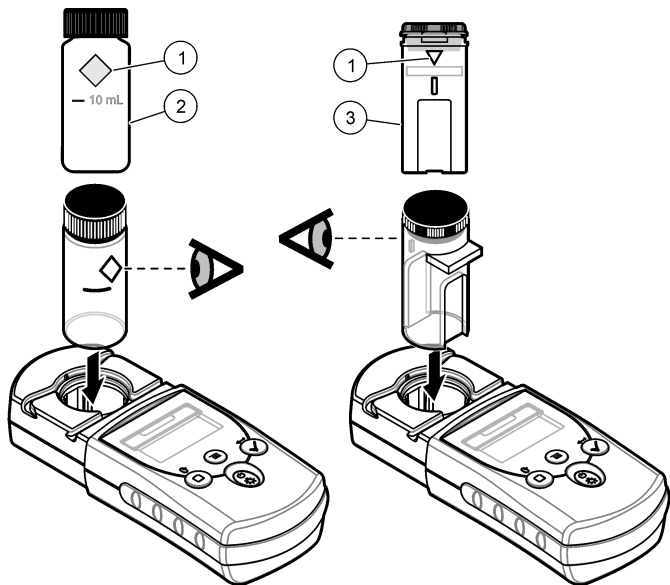
Chemical exposure hazard. Obey laboratory safety procedures and wear all of the personal protective equipment appropriate to the chemicals that are handled. Refer to the current safety data sheets (MSDS/SDS) for safety protocols.

The basic measurement steps necessary to run a test follow. Refer to the applicable method to run a specific test.

1. Select the applicable measurement range or parameter. Refer to [Configure the instrument](#) on page 11.
2. Prepare the blank according to the method document. Make sure to use the correct sample cell size. Rinse the sample cell and cap with the blank before the sample cell is filled.
3. Close the sample cell and clean the optical faces of the sample cell with a lint-free cloth.
4. Insert the blank sample cell into the cell holder. Make sure to install the blank sample cell in the correct and consistent orientation so that the results are more repeatable and precise. Refer to [Figure 6](#).
5. Install the instrument cap over the cell holder. Refer to [Figure 7](#).
6. Push □ to set the instrument zero. The display shows "0.000", or the degree of resolution that was previously selected.
7. Prepare the sample. Rinse the sample cell and cap with the sample three times before the sample cell is filled. Add reagents as specified by the method document.

8. Close the sample cell and clean the optical surfaces of the cell with a lint-free cloth.
9. Insert the sample into the cell holder. Make sure to install the sample cell in the correct and consistent orientation so that the results are more repeatable and precise. Refer to [Figure 6](#).
10. Install the instrument cap over the cell holder. Refer to [Figure 7](#).
11. Push . The display shows the results in concentration units or absorbance.  
*Note: The result flashes if the result is less or more than the instrument range.*
12. Remove the prepared sample from the cell holder.
13. Immediately empty and rinse the sample cell. Rinse the sample cell and cap three times with deionized water.

**Figure 6 Sample cell orientation**

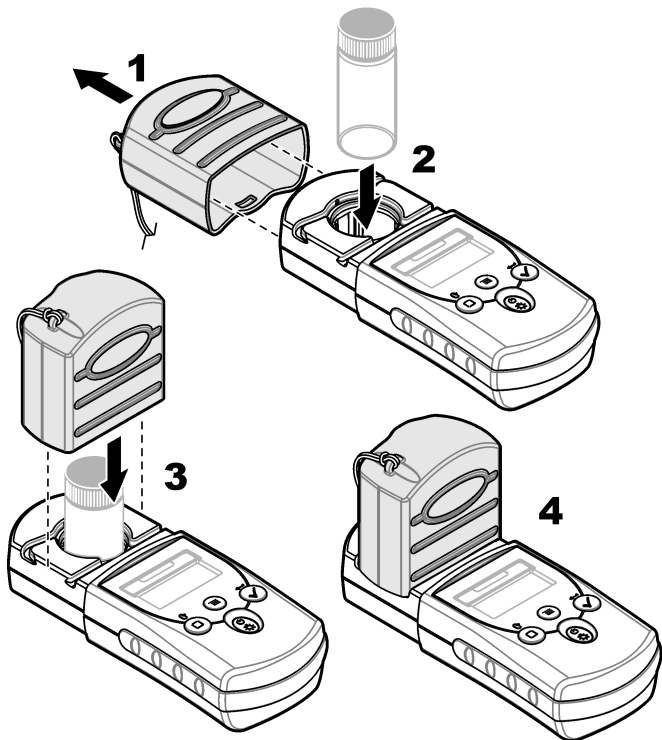


**1** Orientation mark

**2** Sample cell, 25-mm  
(10 mL)

**3** Sample cell, 1-cm  
(10 mL)

**Figure 7** Install the instrument cap over the cell holder



**Show the recorded measurements**

Refer to the "rCL" option in [Configure the instrument](#) on page 11.

## Maintenance

### ⚠ CAUTION



Multiple hazards. Only qualified personnel must conduct the tasks described in this section of the document.

### NOTICE

Do not disassemble the instrument for maintenance. If the internal components must be cleaned or repaired, contact the manufacturer.

## Clean the instrument

Clean the exterior of the instrument with a moist cloth and a mild soap solution and then wipe the instrument dry.

## Clean the sample cells

### ⚠ CAUTION



Chemical exposure hazard. Obey laboratory safety procedures and wear all of the personal protective equipment appropriate to the chemicals that are handled. Refer to the current safety data sheets (MSDS/SDS) for safety protocols.



### ⚠ CAUTION



Chemical exposure hazard. Dispose of chemicals and wastes in accordance with local, regional and national regulations.

Most laboratory detergents are used at recommended concentrations. Neutral detergents, such as Liquinox, are safer to use when regular cleaning is necessary. To decrease the cleaning times, increase the temperature or use an ultrasonic bath. To complete the cleaning, rinse a few times with deionized water and then let the sample cell air dry. Sample cells may also be cleaned with acid, followed by a thorough rinse with deionized water.

**Note:** Always use acid to clean sample cells that were used for low-level metal tests.




Special cleaning methods are necessary for individual procedures. When a brush is used to clean sample cells, take extra care to avoid scratches on the interior surfaces of the sample cells.

## Replace the batteries

Replace the batteries when the battery power level is low. Refer to [Install the batteries](#) on page 7.

## Troubleshooting

Error	Description	Solution
E-0	No zero	In user calibration mode, a standard solution was measured before the instrument zero was set. Measure a blank solution to set the instrument to zero.
E-1	Ambient light error <sup>1</sup>	There is ambient light in the cell holder. Make sure that the instrument cap is fully installed over the cell holder.
E-2	LED error <sup>1</sup>	The LED (light source) is out of regulation. Replace the batteries. Make sure that the LED in the cell holder comes on when ✓ or  is pushed.
E-3	Standard adjust error	<ul style="list-style-type: none"> <li>• The measured value of the standard solution is more than the adjustment limits. Prepare a fresh standard.</li> <li>• The standard solution is not within the concentration range that can be used for standard calibration adjust. Prepare a standard with a value at or near the recommended concentrations given in the procedure.</li> <li>• Make sure that the concentration of the standard solution is entered correctly.</li> </ul>
E-6	Abs error	The absorbance value is not correct or the user-entered calibration curve has fewer than two points. Enter or measure the absorbance value again.

Error	Description	Solution
E-7	Standard value error	The standard solution concentration is equal to another standard solution concentration that is already entered in the user-entered calibration curve. Enter the correct standard concentration.
E-9	Flash error	The instrument is not able to save data.
Reading flashes	The reading is more or less than the instrument range. <sup>2</sup>	If the reading is less than the instrument range, make sure that the instrument cap is fully installed over the cell holder. Measure a blank. If the blank reading is not zero, set the instrument to zero again.
		If the reading is more than the instrument range, identify if there is a light blockage in the cell holder. Dilute the sample. Do the test again.
		For factory-calibrated programs, the maximum and minimum values always equal the factory-calibrated values and cannot be changed.

- <sup>1</sup> When an E-1 or E-2 error occurs on a measurement, the display shows “\_.\_.”. The decimal place depends on the chemistry. If the E-1 or E-2 error occurs while the instrument is set to zero, set the instrument to zero again.
- <sup>2</sup> The flashing value will be 10% over the upper test range limit.

## Replacement parts

### ⚠ WARNING



Personal injury hazard. Use of non-approved parts may cause personal injury, damage to the instrument or equipment malfunction. The replacement parts in this section are approved by the manufacturer.

**Note:** Product and Article numbers may vary for some selling regions. Contact the appropriate distributor or refer to the company website for contact information.

## Replacement parts

Description	Quantity	Item no.
AAA batteries, alkaline	4/pkg	4674300
Cap cord	1	5955900
Instrument cap	1	5954800
Sample cell, 25 mm (10 mL), with caps	6/pkg	2427606
Sample cell, 1 cm (10 mL), with caps	2/pkg	4864302

# Inhaltsverzeichnis

[Technische Daten](#) auf Seite 20

[Betrieb](#) auf Seite 29

[Allgemeine Informationen](#)  
auf Seite 21

[Wartung](#) auf Seite 34

[Inbetriebnahme](#) auf Seite 25

[Fehlerbehebung](#) auf Seite 35

[Benutzerschnittstelle und Navigation](#)  
auf Seite 27

[Ersatzteile](#) auf Seite 37

## Zusätzliche Informationen

Zusätzliche Informationen finden Sie auf der Website des Herstellers.

## Technische Daten

Änderungen vorbehalten.

Technische Daten	Details
Abmessungen (B x T x H)	6,1 x 3,2 x 15,2 cm (2,4 x 1,25 x 6 Zoll)
Gehäuse	IP67, bei 1 m (3,3 Fuß) Tiefe für 30 Minuten wasserdicht (außer Batteriefach). Aus direktem Sonnenlicht fernhalten.
Lichtquelle	Leuchtdiode (LED)
Detektor	Silizium-Photodiode
Display	LCD mit Hintergrundbeleuchtung
Gewicht	0,2 kg (0,43 Pfund)
Verschmutzungsgrad	2
Einbaukategorie	I
Schutzklasse	3
Stromversorgung	AAA-Batterien; ungefähre Lebensdauer 2000 Tests (weniger bei Verwendung der Hintergrundbeleuchtung) Wiederaufladbare Batterien werden nicht empfohlen.
Betriebsumgebungstemperatur	0 bis 50 °C (32 bis 122 °F); 0 bis 90 % relative Luftfeuchtigkeit, nicht kondensierend

Technische Daten	Details
Lagerungstemperatur	-20 bis 55 °C (-7,6 bis 131 °F)
Photometrische Präzision	±0,0015 Abs
Wellenlänge	Feste Wellenlänge ±2 nm, je nach Modell unterschiedlich
Filterbandbreite	15 nm
Absorbanzbereich	0 bis 2,5 Abs
Küvettschichtdicke	1 cm (5 – 10 ml), 25 mm (10 ml)
Datenspeicher	Letzte 10 Messungen
Zertifizierungen	CE-Zeichen
Garantie	2 Jahre

## Allgemeine Informationen

Der Hersteller ist nicht verantwortlich für direkte, indirekte, versehentliche oder Folgeschäden, die aus Fehlern oder Unterlassungen in diesem Handbuch entstanden. Der Hersteller behält sich jederzeit und ohne vorherige Ankündigung oder Verpflichtung das Recht auf Verbesserungen an diesem Handbuch und den hierin beschriebenen Produkten vor. Überarbeitete Ausgaben der Bedienungsanleitung sind auf der Hersteller-Webseite erhältlich.

## Sicherheitshinweise

### HINWEIS

Der Hersteller ist nicht für Schäden verantwortlich, die durch Fehlanwendung oder Missbrauch dieses Produkts entstehen, einschließlich, aber ohne Beschränkung auf direkte, zufällige oder Folgeschäden, und lehnt jegliche Haftung im gesetzlich zulässigen Umfang ab. Der Benutzer ist selbst dafür verantwortlich, schwerwiegende Anwendungsrisiken zu erkennen und erforderliche Maßnahmen durchzuführen, um die Prozesse im Fall von möglichen Gerätefehlern zu schützen.

Bitte lesen Sie dieses Handbuch komplett durch, bevor Sie dieses Gerät auspacken, aufstellen oder bedienen. Beachten Sie alle Gefahren- und Warnhinweise. Nichtbeachtung kann zu schweren Verletzungen des Bedieners oder Schäden am Gerät führen.

Stellen Sie sicher, dass die durch dieses Messgerät bereitgestellte Sicherheit nicht beeinträchtigt wird. Verwenden bzw. installieren Sie das Messsystem nur wie in diesem Handbuch beschrieben.

## Bedeutung von Gefahrenhinweisen

### **GEFAHR**

Kennzeichnet eine mögliche oder drohende Gefahrensituation, die, wenn sie nicht vermieden wird, zum Tod oder zu schweren Verletzungen führt.

### **WARNUNG**

Kennzeichnet eine mögliche oder drohende Gefahrensituation, die, wenn sie nicht vermieden wird, zum Tod oder zu schweren Verletzungen führen kann.

### **VORSICHT**



Kennzeichnet eine mögliche Gefahrensituation, die zu geringeren oder moderaten Verletzungen führen kann.

### **HINWEIS**

Kennzeichnet eine Situation, die, wenn sie nicht vermieden wird, das Gerät beschädigen kann. Informationen, die besonders beachtet werden müssen.

## Warnhinweise

Lesen Sie alle am Gerät angebrachten Aufkleber und Hinweise. Nichtbeachtung kann Verletzungen oder Beschädigungen des Geräts zur Folge haben. Im Handbuch werden auf die am Gerät angebrachten Symbole in Form von Warnhinweisen verwiesen.

	Dieses Symbol am Gerät weist auf Betriebs- und/oder Sicherheitsinformationen im Handbuch hin.
	Elektrogeräte, die mit diesem Symbol gekennzeichnet sind, dürfen nicht im normalen öffentlichen Abfallsystem entsorgt werden. Senden Sie Altgeräte an den Hersteller zurück. Dieser entsorgt die Geräte ohne Kosten für den Benutzer.

## **Zertifizierung**

### **Kanadische Vorschriften zu Störungen verursachenden Einrichtungen, IECS-003, Klasse A:**

Entsprechende Prüfprotokolle hält der Hersteller bereit.

Dieses digitale Gerät der Klasse A erfüllt alle Vorgaben der kanadischen Normen für Interferenz verursachende Geräte.

Cet appareil numérique de classe A répond à toutes les exigences de la réglementation canadienne sur les équipements provoquant des interférences.

### **FCC Teil 15, Beschränkungen der Klasse "A"**

Entsprechende Prüfprotokolle hält der Hersteller bereit. Das Gerät entspricht Teil 15 der FCC-Vorschriften. Der Betrieb unterliegt den folgenden Bedingungen:

1. Das Gerät darf keine Störungen verursachen.
2. Das Gerät muss jegliche Störung, die es erhält, einschließlich jener Störungen, die zu unerwünschtem Betrieb führen, annehmen.

Änderungen oder Modifizierungen an diesem Gerät, die nicht ausdrücklich durch die für die Einhaltung der Standards verantwortliche Stelle bestätigt wurden, können zur Aufhebung der Nutzungsberechtigung für dieses Gerät führen. Dieses Gerät wurde geprüft, und es wurde festgestellt, dass es die Grenzwerte für digitale Geräte der Klasse A entsprechend Teil 15 der FCC-Vorschriften einhält. Diese Grenzwerte sollen einen angemessenen Schutz gegen gesundheitsschädliche Störungen gewährleisten, wenn dieses Gerät in einer gewerblichen Umgebung betrieben wird. Dieses Gerät erzeugt und nutzt hochfrequente Energie und kann diese auch abstrahlen, und es kann, wenn es nicht in Übereinstimmung mit der Bedienungsanleitung installiert und eingesetzt wird, schädliche Störungen der Funkkommunikation verursachen. Der Betrieb dieses Geräts in Wohngebieten kann schädliche Störungen verursachen. In diesem Fall muss der Benutzer die Störungen auf eigene Kosten beseitigen. Probleme mit Interferenzen lassen sich durch folgende Methoden mindern:

1. Vergrößern Sie den Abstand zwischen diesem Gerät und dem gestörten Gerät.
2. Ändern Sie die Position der Empfangsantenne des gestörten Geräts.
3. Versuchen Sie auch, die beschriebenen Maßnahmen miteinander zu kombinieren.

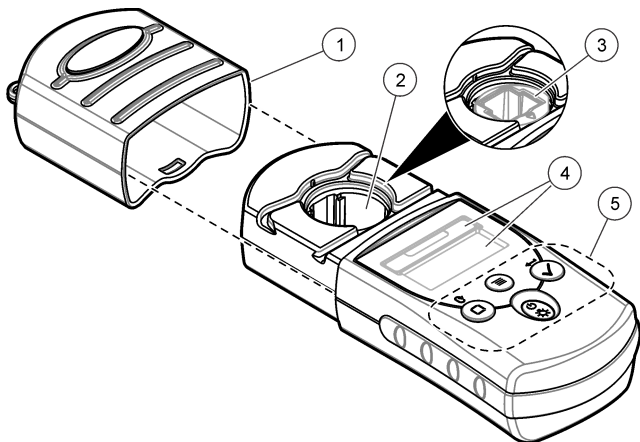
## Produktübersicht

Bei diesem Gerät handelt es sich um ein portables Filterphotometer für die Analyse von Wasser. Siehe [Abbildung 8](#). Das Gerät wird werkseitig zur Messung von einem oder zwei spezifischen Parametern konfiguriert. Dieses Gerät wird werkseitig kalibriert. Eine Kalibrierung durch den Benutzer ist nicht erforderlich.

**Hinweis:** Die Messung von Chlor und Chloraminen mit diesem Gerät im Rahmen medizinischer Anwendungen in den USA wurde nicht getestet.



**Abbildung 8 Geräteübersicht**



1 Geräteabdeckkappe	3 Küvettenhalter mit 1-cm-Küvetten-Adapter <sup>1</sup>	5 Tastatur
2 Küvettenhalter	4 Display	

<sup>1</sup> Bei einigen Modellen werkseitig installiert

## Inbetriebnahme

### Batterien einlegen

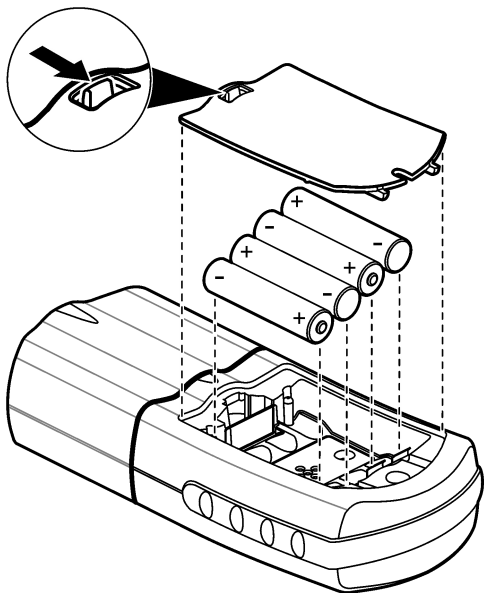
#### **▲ WARNUNG**



Explosionsgefahr. Das unsachgemäße Einlegen von Batterien kann zur Freisetzung explosiver Gase führen. Vergewissern Sie sich, dass Sie Batterien mit dem zulässigen Chemikaliertyp verwenden und dass sie mit der korrekten Polung eingelegt wurden. Verwenden Sie nicht alte und neue Batterien zusammen.

Legen Sie die Batterien wie in [Abbildung 9](#) angegeben ein.

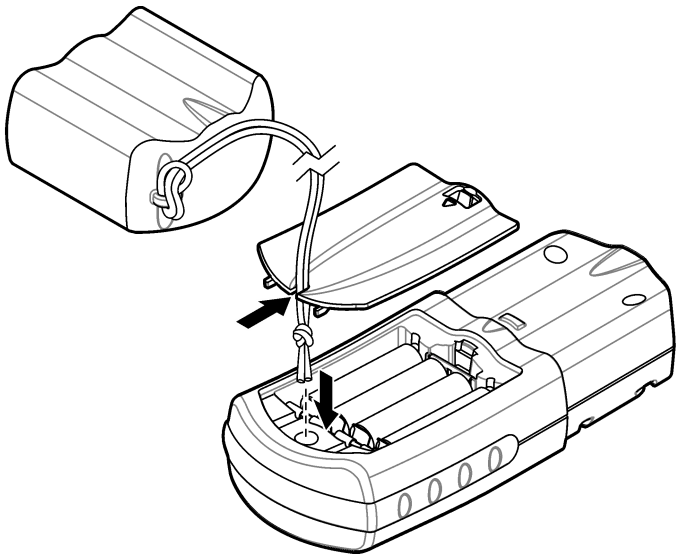
Abbildung 9 Batterien einlegen.



## Befestigung des Abdeckkappenkabels

Befestigen Sie das Abdeckkappenkabel, damit die Geräteabdeckkappe nicht verloren geht. Siehe [Abbildung 10](#).

**Abbildung 10** Befestigung des Abdeckkappenkabels

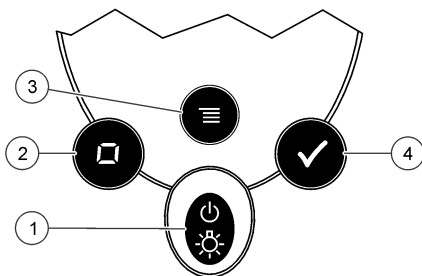


## Benutzerschnittstelle und Navigation

### Beschreibung des Tastenfelds

[Abbildung 11](#) zeigt das Tastenfeld und gibt die Tastenfunktionen an.

## Abbildung 11 Tastatur



<b>1 Ein-/Aus- und Hintergrundbeleuchtungstaste:</b> Schaltet das Gerät ein und aus. Halten Sie die Taste für 1 Sekunde gedrückt, um die Hintergrundbeleuchtung ein- bzw. auszuschalten.	<b>3 Menütaste:</b> Aktiviert bzw. deaktiviert den Menümodus.
<b>2 Null-/Navigationstaste:</b> Stellt den Nullpunkt auf dem Gerät ein, navigiert durch Menüoptionen und Nummern.	<b>4 Mess-/Eingabetaste:</b> Startet eine Probenmessung, wählt eine Menüoption aus, bewegt den Cursor zur nächsten Ziffer.

## Displaybeschreibung

[Abbildung 12](#) enthält die auf dem Display angezeigten Werte und Symbole.

Abbildung 12 Display



<b>1 Numerische Anzeige:</b> Messwerte oder Menüoptionen	<b>4 Menüsymbol:</b> Das Messgerät befindet sich im Menümodus.
<b>2 Bereichssymbol:</b> Ausgewählter Bereich oder Parameter	<b>5 Symbol für angepasste Kalibrierung:</b> Die werkseitige Kalibrierung wurde angepasst, oder es wurde eine benutzerdefinierte Kalibrierkurve eingegeben. Lesen Sie die ausführliche Bedienungsanleitung auf der Website des Herstellers.
<b>3 Bereichswert:</b> Bereich(e) oder Parameter	<b>6 Symbol für niedrigen Batterieladestand:</b> Der Batterieladestand beträgt 10 %. Blinkt, wenn der Batterieladestand zu niedrig für Messungen ist.

## Betrieb

### Konfiguration des Geräts

1. Drücken Sie ☰.
2. Drücken Sie ⏪, um durch die Menüoptionen zu blättern. Drücken Sie ✓, um eine Option auszuwählen.

#### Optionen Beschreibung

**SEL** Stellt den Messbereich oder Parameter ein. Drücken Sie ✓, um zwischen den Messbereichen oder Parametern zu wechseln.

## Optionen Beschreibung

- 00:00** Stellt die Zeit im 24-Stunden-Format ein (hh:mm). Drücken Sie ✓, um die Zeit zu ändern. Drücken Sie □, um die erste Ziffer zu ändern, und anschließend ✓, um zur nächsten Ziffer zu blättern.
- rCL** Zeigt die letzten 10 erfassten Messungen an. Drücken Sie ✓, um die erfassten Messungen anzuzeigen (01: neueste Messung, 10: älteste Messung). Drücken Sie ✓, um durch die Messungen zu blättern. Um eine Messung nach ihrer Nummer auszuwählen, drücken Sie □, um die Nummer auszuwählen, und anschließend ✓. Drücken Sie ≡, um diese Option zu verlassen.
- SCA** Siehe die ausführliche Bedienungsanleitung auf der Website des Herstellers.

3. Drücken Sie ≡, um zum Messmodus zurückzukehren.

## Durchführen von Tests

### ▲ WARNUNG





Gefahr von Kontakt mit Chemikalien. Halten Sie sich an die Sicherheitsmaßnahmen im Labor, und tragen Sie Schutzkleidung entsprechend den Chemikalien, mit denen Sie arbeiten. Beachten Sie die Sicherheitsprotokolle in den aktuellen Material Sicherheitsdatenblättern (MSDS/SDB).



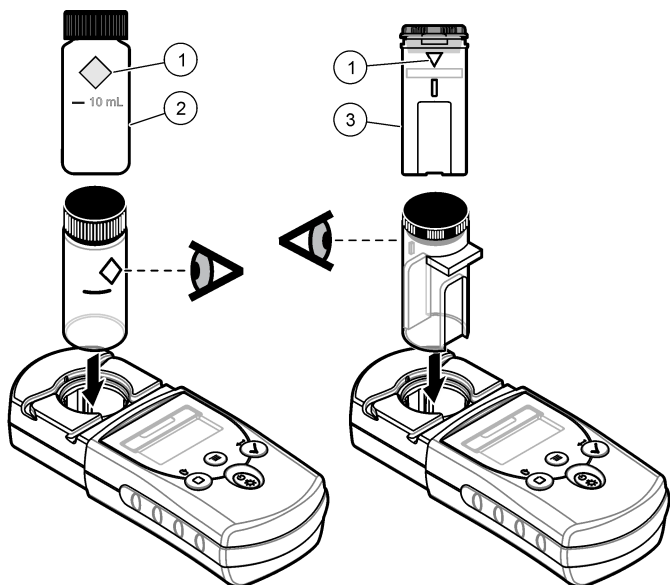
Nachfolgend finden Sie die grundlegenden Messschritte zum Durchführen von Tests. Informationen zum Ausführen eines bestimmten Tests finden Sie bei der entsprechenden Methode.

1. Wählen Sie den jeweils geeigneten Messbereich oder Parameter. Siehe [Konfiguration des Geräts](#) auf Seite 29.
2. Bereiten Sie die Blindwertmessung vor wie im Methodendokument angegeben. Verwenden Sie die richtige Küvettengröße. Spülen Sie die Küvette und Kappe mit Blindlösung, bevor Sie die Küvette füllen.
3. Schließen Sie die Küvette und reinigen Sie die optischen Flächen der Küvette mit einem fusselfreien Tuch.
4. Setzen Sie die Küvette mit der Blindlösung in den Küvettenhalter ein. Achten Sie darauf, die Blindküvette immer korrekt und in der

gleichen Ausrichtung einzusetzen, um genaue und reproduzierbare Ergebnisse zu erhalten. Siehe [Abbildung 13](#).

5. Bringen Sie die Geräteabdeckkappe über dem Küvettenhalter an. Siehe [Abbildung 14](#).
6. Drücken Sie , um den Nullwert auf dem Gerät einzustellen. Auf dem Display wird „0.000“ (0,000) oder der zuvor gewählte Auflösungsgrad angezeigt.
7. Vorbereiten der Probe. Spülen Sie die Küvette und Kappe drei Mal mit der Probenlösung, bevor Sie die Küvette füllen. Geben Sie die Reagenzien zu wie im Methodendokument angegeben.
8. Schließen Sie die Küvette, und reinigen Sie die optischen Flächen der Küvette mit einem fusselfreien Tuch.
9. Setzen Sie die Probenküvette in den Küvettenhalter ein. Achten Sie darauf, die Probenküvette immer korrekt und in der gleichen Ausrichtung einzusetzen, um genaue und reproduzierbare Ergebnisse zu erhalten. Siehe [Abbildung 13](#).
10. Bringen Sie die Geräteabdeckkappe über dem Küvettenhalter an. Siehe [Abbildung 14](#).
11. Drücken Sie . Auf dem Display werden die Ergebnisse in Konzentrationseinheiten oder Absorbanz angezeigt.  
***Hinweis:** Das Ergebnis blinkt, wenn das Ergebnis unter oder über dem zulässigen Bereich des Geräts liegt.*
12. Entnehmen Sie die vorbereitete Probenküvette aus dem Küvettenhalter.
13. Leeren und spülen Sie die Küvette unmittelbar. Spülen Sie die Küvette und Kappe drei Mal mit entionisiertem Wasser.

**Abbildung 13 Küvettenausrichtung**



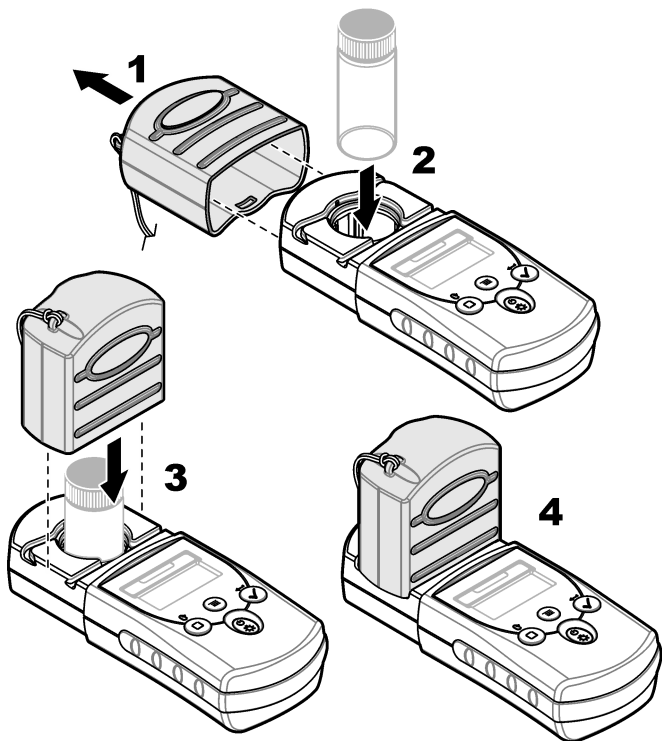
**1** Ausrichtungs-  
markierung

**2** Küvette, 25 mm  
(10 ml)

**3** Küvette, 1 cm (10 ml)



**Abbildung 14 Anbringen der Geräteabdeckkappe über dem Küvettenhalter**



### **Anzeige der erfassten Messwerte**

Siehe Option „rCL“ unter [Konfiguration des Geräts](#) auf Seite 29.

## Wartung

### ▲ VORSICHT



Mehrere Gefahren. Nur qualifiziertes Personal sollte die in diesem Kapitel des Dokuments beschriebenen Aufgaben durchführen.

### HINWEIS

Nehmen Sie das Gerät nicht zur Wartung auseinander. Falls eine Reinigung oder Instandsetzung von externen Bauteilen erforderlich ist, wenden Sie sich an den Hersteller.

## Reinigung des Geräts

Reinigen Sie das Gerät außen mit einem feuchten Tuch und wischen Sie das Gerät anschließend trocken.

## Reinigen der Küvetten

### ▲ VORSICHT



Gefahr von Kontakt mit Chemikalien. Halten Sie sich an die Sicherheitsmaßnahmen im Labor, und tragen Sie Schutzkleidung entsprechend den Chemikalien, mit denen Sie arbeiten. Beachten Sie die Sicherheitsprotokolle in den aktuellen Material Sicherheitsdatenblättern (MSDS/SDB).



### ▲ VORSICHT



Gefahr von Kontakt mit Chemikalien. Entsorgen Sie Chemikalien und Abfälle gemäß lokalen, regionalen und nationalen Vorschriften.

Die meisten Laborreinigungsmittel werden mit den empfohlenen Konzentrationen verwendet. Neutrale Reinigungsmittel wie Liquinox sind sicherer in der Anwendung, wenn eine regelmäßige Reinigung erforderlich ist. Um kürzere Reinigungszeiten zu erhalten, können Sie die Temperatur erhöhen oder ein Ultraschallbad verwenden. Spülen Sie die Küvetten zum Abschluss der Reinigung mehrmals mit entionisiertem Wasser und lassen Sie sie anschließend an der Luft trocknen.

Küvetten können auch mit Säure gereinigt werden und müssen dann gründlich mit entionisiertem Wasser gespült werden.


**Hinweis:** Reinigen Sie Küvetten, die für Metalltests mit niedrigen Konzentrationen verwendet wurden, immer mit Säure.

Für individuelle Verfahren sind spezielle Reinigungsmethoden erforderlich. Wenn die Küvetten mit einer Bürste gereinigt werden, achten Sie darauf, die Innenseiten der Küvetten nicht zu verkratzen.

## Auswechseln der Batterien

Wechseln Sie die Batterien aus, wenn der Batterieladestand niedrig ist. Siehe [Batterien einlegen](#) auf Seite 25.

## Fehlerbehebung

Fehler	Beschreibung	Lösung
E-0	Kein Nullwert	Im Benutzerkalibriermodus wurde eine Standardlösung gemessen, bevor auf dem Gerät eine Nullstellung durchgeführt wurde. Messen Sie eine Blindlösung, um das Gerät auf Null zu stellen.
E-1	Umgebungslichtfehler <sup>1</sup>	Umgebungslicht gelangt in den Küvettenhalter. Stellen Sie sicher, dass die Geräteabdeckkappe ordnungsgemäß über dem Küvettenhalter angebracht wurde.
E-2	LED-Fehler <sup>1</sup>	Die LED (Lichtquelle) funktioniert nicht ordnungsgemäß. Auswechseln der Batterien. Stellen Sie sicher, dass die LED im Küvettenhalter tatsächlich leuchtet, wenn Sie ✓ oder  drücken.

Fehler	Beschreibung	Lösung
E-3	Standardanpassungsfehler	<ul style="list-style-type: none"> <li>• Der Messwert der Standardlösung liegt außerhalb der zulässigen Grenzwerte. Bereiten Sie einen neuen Standard vor.</li> <li>• Die Standardlösung befindet sich nicht in dem für die Standardkalibrierung zulässigen Konzentrationsbereich. Bereiten Sie eine Standardlösung vor, deren Wert innerhalb oder nahe der für das Verfahren empfohlenen Konzentrationen liegt.</li> <li>• Stellen Sie sicher, dass die Konzentration der Standardlösung richtig eingegeben wird.</li> </ul>
E-6	Abs-Fehler	Der Absorbanzwert ist falsch oder die benutzerdefinierte Kalibrierkurve verfügt über weniger als zwei Punkte. Geben Sie den Absorbanzwert erneut ein bzw. messen Sie ihn erneut.
E-7	Standardwertefehler	Die Konzentration der Standardlösung ist gleich der Konzentration einer anderen Standardlösung, die bereits für die benutzerdefinierte Kalibrierkurve eingegeben wurde. Geben Sie die richtige Standardkonzentration ein.
E-9	Speicherfehler	Das Messgerät kann keine Daten speichern.

Fehler	Beschreibung	Lösung
Messwert blinkt	Der Messwert liegt außerhalb des zulässigen Bereichs des Geräts. <sup>2</sup>	Wenn der Messwert unter dem Bereich des Geräts liegt, stellen Sie sicher, dass die Geräteabdeckkappe ordnungsgemäß über dem Küvettenhalter angebracht ist. Messen Sie eine Blindlösung. Wenn der Messwert der Blindlösung nicht Null ist, führen Sie erneut eine Nullstellung auf dem Gerät durch.
		Wenn der Messwert über dem Bereich des Geräts liegt, prüfen Sie, ob Licht im Küvettenhalter blockiert wird. Verdünnen Sie die Probe. Führen Sie den Test erneut durch.
		Bei werkseitig kalibrierten Programmen sind die oberen und unteren Grenzwerte immer die werkseitig kalibrierten Werte und können nicht geändert werden.

- 1 Wenn ein E-1- oder E-2-Fehler bei einer Messung auftritt, wird auf dem Display „\_.\_“ angezeigt. Die Platzierung des Dezimaltrennzeichens hängt von der Chemiemethode ab. Wenn der E-1- oder E-2-Fehler auftritt, während auf dem Messgerät eine Nullstellung durchgeführt wird, wiederholen Sie die Nullstellung.
- 2 Der blinkende Wert liegt 10 % über dem oberen Testbereichsgrenzwert.

## Ersatzteile

### ⚠ WARNUNG



Verletzungsgefahr. Die Verwendung nicht zugelassener Teile kann zur Verletzung von Personen, zu Schäden am Messgerät oder zu Fehlfunktionen der Ausrüstung führen. Die Ersatzteile in diesem Abschnitt sind vom Hersteller zugelassen.

**Hinweis:** Produkt- und Artikelnummern können für einige Verkaufsgebiete abweichen. Wenden Sie sich an den zuständigen Distributor oder schlagen Sie die Kontaktinformationen auf der Webseite des Unternehmens nach.

## Ersatzteile

<b>Beschreibung</b>	<b>Menge</b>	<b>Bestellnr.</b>
AAA-Alkalibatterien	4/Packung	4674300
Abdeckkappenkabel	1	5955900
Geräteabdeckkappe	1	5954800
Küvette, 25 mm (10 ml), mit Kappen	6/Packung	2427606
Küvette, 1 cm (10 ml), mit Kappen	2/Packung	4864302

## Sommario

[Dati tecnici](#) a pagina 39

[Informazioni generali](#) a pagina 40

[Avvio](#) a pagina 44

[Interfaccia utente e navigazione](#)  
a pagina 46

[Funzionamento](#) a pagina 48

[Manutenzione](#) a pagina 53

[Individuazione ed eliminazione dei guasti](#) a pagina 54

[Parti di ricambio](#) a pagina 56

## Ulteriori informazioni

Ulteriori informazioni sono disponibili sul sito Web del produttore.

## Dati tecnici

I dati tecnici sono soggetti a modifica senza preavviso.

Dato tecnico	Dettagli
Dimensioni (L x P x A)	6,1 x 3,2 x 15,2 cm (2,4 x 1,25 x 6 poll.)
Involucro	IP67, impermeabile a 1 m (3,3 piedi) per 30 minuti (vano batterie escluso). Tenere lontano dalla luce solare diretta.
Sorgente luminosa	LED
Rilevatore	Fotodiodo al silicio
Display	LCD con retroilluminazione
Peso	0,2 kg (0,43 lb)
Grado di inquinamento	2
Categoria di installazione	I
Classe di protezione	3
Requisiti di alimentazione	4 batterie AAA per circa 2000 test (valore ridotto in caso di uso della retroilluminazione) L'uso di batterie ricaricabili è sconsigliato.
Condizioni di esercizio	Da 0 a 50 °C (da 32 a 122 °F), dallo 0 al 90% di umidità relativa, senza condensa
Temperatura di conservazione	Da -20 a 55 °C (da -7,6 a 131 °F)
Precisione fotometrica	± 0,0015 Abs

Dato tecnico	Dettagli
Lunghezza d'onda	Lunghezza d'onda fissa $\pm 2$ nm, diversa per ciascun modello
Larghezza di banda del filtro	15 nm
Intervallo di assorbanza	Da 0 a 2,5 Abs
Lunghezza percorso cella campione	1 cm (5–10 ml), 25 mm (10 ml)
Memoria dati	Ultime 10 misurazioni
Certificazioni	Contrassegno CE
Garanzia	2 anni

## Informazioni generali

In nessun caso, il produttore potrà essere ritenuto responsabile per danni diretti, indiretti o accidentali per qualsiasi difetto o omissione relativa al presente manuale. Il produttore si riserva il diritto di apportare eventuali modifiche al presente manuale e ai prodotti ivi descritti in qualsiasi momento senza alcuna notifica o obbligo preventivi. Le edizioni riviste sono presenti nel sito Web del produttore.

## Informazioni sulla sicurezza

### AVVISO

Il produttore non sarà da ritenersi responsabile in caso di danni causati dall'applicazione errata o dall'uso errato di questo prodotto inclusi, a puro titolo esemplificativo e non limitativo, i danni incidentali e consequenziali; inoltre declina qualsiasi responsabilità per tali danni entro i limiti previsti dalle leggi vigenti. La responsabilità relativa all'identificazione dei rischi critici dell'applicazione e all'installazione di meccanismi appropriati per proteggere le attività in caso di eventuale malfunzionamento dell'apparecchiatura compete unicamente all'utilizzatore.

Prima di disimballare, installare o utilizzare l'apparecchio, si prega di leggere l'intero manuale. Si raccomanda di leggere con attenzione e rispettare le istruzioni riguardanti note di pericolosità. La non osservanza di tali indicazioni potrebbe comportare lesioni gravi all'operatore o danni all'apparecchio.

Assicurarsi che i dispositivi di sicurezza insiti nell'apparecchio siano efficaci all'atto della messa in servizio e durante l'utilizzo dello stesso.



Non utilizzare o installare questa apparecchiatura in modo diverso da quanto specificato nel presente manuale.

## Indicazioni e significato dei segnali di pericolo

### **▲ PERICOLO**

Indica una situazione di pericolo potenziale o imminente che, se non evitata, causa lesioni gravi anche mortali.

### **▲ AVVERTENZA**

Indica una situazione di pericolo potenziale o imminente che, se non evitata, potrebbe comportare lesioni gravi, anche mortali.

### **▲ ATTENZIONE**



Indica una situazione di pericolo potenziale che potrebbe comportare lesioni lievi o moderate.

### **AVVISO**

Indica una situazione che, se non evitata, può danneggiare lo strumento. Informazioni che richiedono particolare attenzione da parte dell'utente.

## Etichette precauzionali

Leggere sempre tutte le indicazioni e le targhette di segnalazione applicate all'apparecchio. La mancata osservanza delle stesse può infatti causare lesioni personali o danni allo strumento. Un simbolo sullo strumento è indicato nel manuale unitamente a una frase di avvertenza.

	Tale simbolo, se apposto sullo strumento, fa riferimento al manuale delle istruzioni per il funzionamento e/o informazioni sulla sicurezza.
	Le apparecchiature elettriche contrassegnate con questo simbolo non possono essere smaltite attraverso sistemi domestici o pubblici europei. Restituire le vecchie apparecchiature al produttore il quale si occuperà gratuitamente del loro smaltimento.

## **Certificazioni**

### **Canadian Radio Interference-Causing Equipment Regulation, IECS-003, Class A:**

Le registrazioni dei test di supporto sono disponibili presso il produttore.

Questo apparecchio digitale di Classe A soddisfa tutti i requisiti di cui agli Ordinamenti canadesi sulle apparecchiature causanti interferenze.

Questo apparecchio digitale di Classe A soddisfa tutti i requisiti di cui agli Ordinamenti canadesi sulle apparecchiature causanti interferenze.

### **FCC Parte 15, Limiti Classe "A"**

Le registrazioni dei test di supporto sono disponibili presso il produttore. Il presente dispositivo è conforme alla Parte 15 della normativa FCC. Il funzionamento è subordinato alle seguenti condizioni:

1. L'apparecchio potrebbe non causare interferenze dannose.
2. L'apparecchio deve tollerare tutte le interferenze subite, comprese quelle causate da funzionamenti inopportuni.

Modifiche o cambiamenti eseguiti sull'unità senza previa approvazione da parte dell'ente responsabile della conformità potrebbero annullare il diritto di utilizzare l'apparecchio. Questo apparecchio è stato testato ed è conforme con i limiti per un dispositivo digitale di Classe A, secondo la Parte 15 delle normative FCC. I suddetti limiti sono stati fissati in modo da garantire una protezione adeguata nei confronti di interferenze nocive se si utilizza l'apparecchiatura in applicazioni commerciali. L'apparecchiatura produce, utilizza e può irradiare energia a radiofrequenza e, se non installata e utilizzata in accordo a quanto riportato nel manuale delle istruzioni, potrebbe causare interferenze nocive per le radiocomunicazioni. L'utilizzo di questa apparecchiatura in una zona residenziale può provocare interferenze dannose; in tal caso, l'utente dovrà eliminare l'interferenza a proprie spese. Per ridurre i problemi di interferenza, è possibile utilizzare le seguenti tecniche:

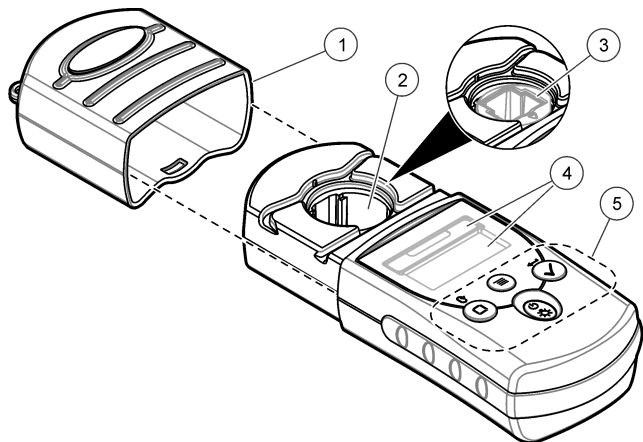
1. Spostare l'apparecchio lontano dal dispositivo che riceve l'interferenza.
2. Posizionare nuovamente l'antenna di ricezione dell'apparecchio che riceve le interferenze.
3. Provare una combinazione dei suggerimenti sopra riportati.

## **Descrizione del prodotto**

Questo strumento è un fotometro a filtro portatile utilizzato per l'analisi delle acque. Fare riferimento a [Figura 15](#). Questo strumento è configurato in fabbrica per misurare uno o due parametri specifici ed è calibrato in fabbrica. La calibrazione da parte dell'utente non è necessaria.

**Nota:** *questo strumento non è stato valutato per quel che riguarda la misurazione di cloro e clorammine in applicazioni mediche negli Stati Uniti.*

**Figura 15 Descrizione dello strumento**



1 Coperchio dello strumento	3 Vano cella con adattatore cella di 1 cm <sup>1</sup>	5 Tastiera
2 Vano cella	4 Display	

<sup>1</sup> Montato in fabbrica su alcuni modelli

## Avvio

### Installazione delle batterie

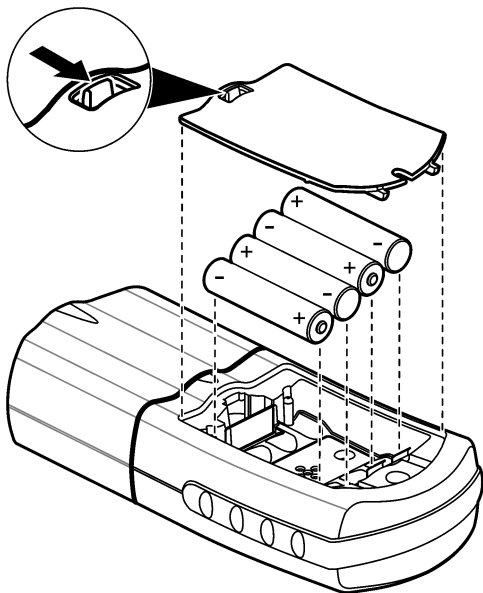
#### **▲ AVVERTENZA**



Pericolo di esplosione. L'errata installazione della batteria può causare il rilascio di gas esplosivi. Accertarsi che le batterie siano dello stesso tipo chimico approvato e che siano inserite nell'orientamento corretto. Non mettere insieme batterie nuove con batterie vecchie.

Installare le batterie come illustrato nella [Figura 16](#).

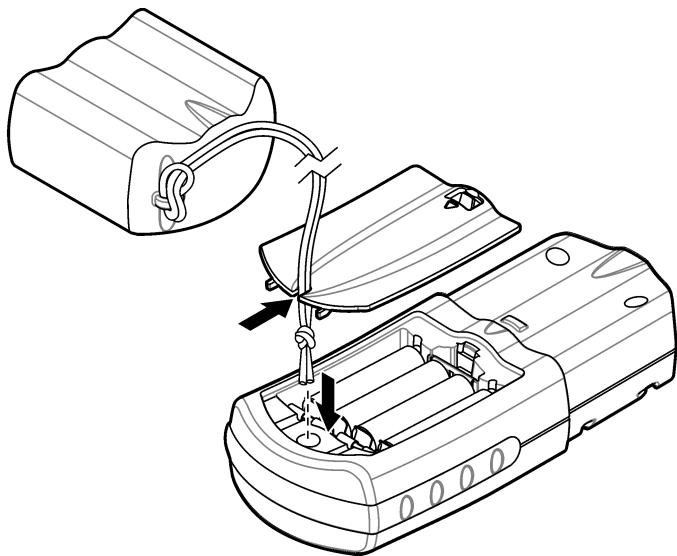
**Figura 16** Installazione delle batterie



## Installazione del cavo del coperchio

Fissare il cavo del coperchio per non perdere il coperchio dello strumento. Fare riferimento a [Figura 17](#).

**Figura 17** Installazione del cavo del coperchio

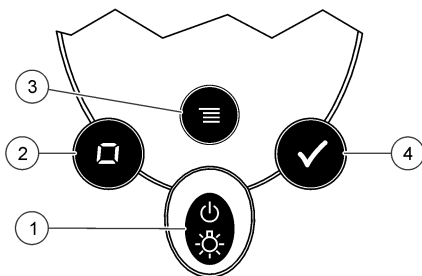


## Interfaccia utente e navigazione

### Descrizione della tastiera

La [Figura 18](#) mostra la tastiera e illustra le funzioni dei tasti.

**Figura 18 Tastiera**



<b>1 Tasto di accensione/retroilluminazione:</b> per attivare o disattivare. Tenere premuto per 1 secondo per attivare o disattivare la retroilluminazione.	<b>3 Tasto menu:</b> per entrare e uscire nella/dalla modalità menu.
<b>2 Tasto zero/scorrimento:</b> per azzerare lo strumento e scorrere le opzioni di menu e i numeri	<b>4 Tasto di lettura/invio:</b> per avviare una misura campione, selezionare un'opzione di menu, spostare il cursore alla cifra successiva

## **Descrizione del display**

La [Figura 19](#) mostra i valori e le icone visualizzati sul display.

**Figura 19 Display**



<b>1 Display numerico:</b> valore misurato o opzioni di menu	<b>4 Icona del menu:</b> lo strumento è in modalità menu.
<b>2 Icona di misura:</b> range o parametro selezionato	<b>5 Icona di calibrazione modificata:</b> la calibrazione predefinita in fabbrica è stata modificata oppure l'utente ha immesso una curva di calibrazione. Fare riferimento al manuale completo per l'utente sul sito Web del produttore.
<b>3 Valore di misura:</b> range o parametri	<b>6 Icona di batteria scarica:</b> livello della batteria pari al 10%. Lampeggia quando il livello di carica della batteria è troppo basso per completare le misure.

## Funzionamento

### Configurazione dello strumento

1. Premere
2. Premere per scorrere le opzioni di menu. Premere per selezionare un'opzione.

Opzione	Descrizione
---------	-------------


SEL	Per impostare il range o il parametro di misura. Premere  per spostarsi tra i range o i parametri di misura.
-----	--



Opzione	Descrizione
00:00	Per impostare l'ora in formato 24 ore (hh:mm). Premere ✓ per modificare l'ora. Premere □ per modificare la prima cifra, quindi ✓ per passare alla cifra successiva.
rCL	Per visualizzare le ultime 10 misure registrate. Premere ✓ per visualizzare le misure registrate (01—misura più recente, 10—misura meno recente). Premere ✓ per scorrere le misure. Per selezionare una misura in base al numero, premere □ per selezionare il numero, quindi ✓. Premere ≡ per uscire da questa opzione.
SCA	Fare riferimento al manuale completo per l'utente sul sito Web del produttore.



3. Premere ≡ per tornare alla modalità di misura.

## Esecuzione di un test

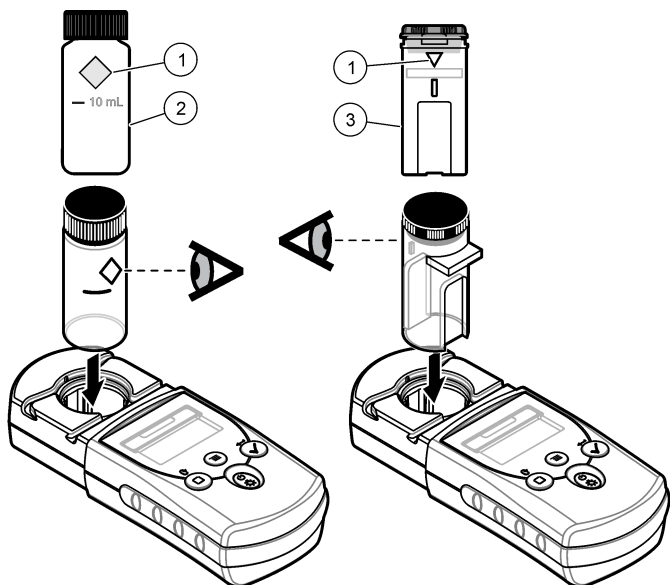
<b>▲ AVVERTENZA</b>	
	<p>Pericolo di esposizione ad agenti chimici. Rispettare le procedure di sicurezza del laboratorio e indossare tutte le apparecchiature protettive appropriate per le sostanze chimiche utilizzate. Fare riferimento alle attuali schede di sicurezza (MSDS/SDS) per i protocolli di sicurezza.</p>

Di seguito sono riportate le procedure di misura di base necessarie per eseguire un test. Per eseguire un test specifico, fare riferimento al metodo applicabile.

1. Selezionare il range o il parametro di misura applicabile. Fare riferimento a [Configurazione dello strumento](#) a pagina 48.
2. Preparare il bianco secondo la procedura del metodo. Assicurarsi di utilizzare la cella campione della dimensione corretta. Sciacquare la cella campione con il bianco prima di riempirla.
3. Chiudere la cella campione e pulirne le superfici ottiche con un panno privo di lanugine.
4. Inserire la cella del bianco nel vano cella. Assicurarsi di installare la cella del bianco mantenendo un orientamento costante e corretto in modo che i risultati siano più precisi e ripetibili. Fare riferimento a [Figura 20](#).

5. Montare il coperchio dello strumento sul vano cella. Fare riferimento a [Figura 21](#).
6. Premere  per azzerare lo strumento. Il display visualizza "0,000" o il grado di risoluzione selezionato in precedenza.
7. Preparare il campione. Prima di riempire la cella campione, sciacquare sia la cella che il coperchio tre volte. Aggiungere i reagenti come specificato dalla procedura del metodo.
8. Chiudere la cella campione e pulire le superfici ottiche della cella con un panno privo di lanugine.
9. Inserire il campione nel vano cella. Assicurarsi di installare la cella campione mantenendo un orientamento costante e corretto in modo che i risultati siano più precisi e ripetibili. Fare riferimento a [Figura 20](#).
10. Montare il coperchio dello strumento sul vano cella. Fare riferimento a [Figura 21](#).
11. Premere . Il display visualizza i risultati in unità di concentrazione o assorbanza.  
*Nota: il risultato lampeggia se inferiore o superiore al range analitico dello strumento.*
12. Rimuovere il campione preparato dal vano cella.
13. Svuotare immediatamente e sciacquare la cella campione. Sciacquare sia la cella campione che il coperchio tre volte con acqua deionizzata.

**Figura 20 Orientamento celle campione**

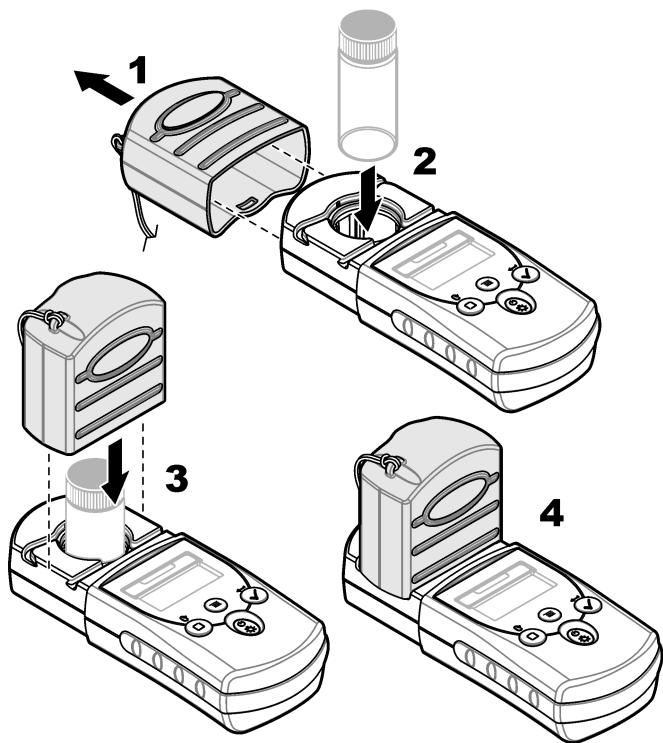


**1** Segno orientamento

**2** Cella campione,  
25 mm (10 ml)

**3** Cella campione, 1 cm  
(10 ml)

**Figura 21** Montaggio del coperchio dello strumento sul vano cella



### Visualizzazione delle misurazioni registrate

Fare riferimento all'opzione "rCL" in [Configurazione dello strumento](#) a pagina 48.

## Manutenzione

### ▲ ATTENZIONE



Pericoli multipli. Gli interventi descritti in questa sezione del documento devono essere eseguiti solo da personale qualificato.

### AVVISO

Non smontare lo strumento per operazioni di manutenzione. Se è necessario pulire o riparare i componenti interni, contattare il produttore.

## Pulizia dello strumento

Pulire le superfici esterne dello strumento con un panno umido; quindi asciugare lo strumento.

## Pulire le celle dei campioni

### ▲ ATTENZIONE



Pericolo di esposizione ad agenti chimici. Rispettare le procedure di sicurezza del laboratorio e indossare tutte le apparecchiature protettive appropriate per le sostanze chimiche utilizzate. Fare riferimento alle attuali schede di sicurezza (MSDS/SDS) per i protocolli di sicurezza.

### ▲ ATTENZIONE



Pericolo di esposizione ad agenti chimici. Smaltire i prodotti chimici e i rifiuti conformemente alle normative locali, regionali e nazionali.

La maggior parte dei detergenti di laboratorio sono utilizzati a concentrazioni raccomandate. I detergenti neutri, come Liquinox, sono più sicuri quando è necessaria una pulizia regolare. Per ridurre i tempi di pulizia, aumentare la temperatura o utilizzare un bagno a ultrasuoni. Per completare la pulizia, sciacquare alcune volte con acqua deionizzata e lasciare che la cella campione si asciughi all'aria. Le celle campione possono essere pulite con acido, seguito da un accurato risciacquo con acqua deionizzata.


**Nota:** Utilizzare sempre l'acido per pulire le celle campione utilizzate per test di metallo a basso livello.

Metodi di pulizia speciali sono necessari per singole procedure. Quando viene utilizzato un pennello per pulire le celle campione, fare molta attenzione a non graffiare le superfici interne delle celle campione.

## Sostituzione delle batterie

Sostituire le batterie quando il livello di carica è basso. Fare riferimento a [Installazione delle batterie](#) a pagina 44.

## Individuazione ed eliminazione dei guasti

Errore	Descrizione	Soluzione
E-0	Non zero	In modalità di calibrazione utente, è stata misurata una soluzione standard prima di impostare lo strumento su zero. Misurare un bianco per azzerare lo strumento.
E-1	Errore luce ambiente <sup>1</sup>	Presenza di luce ambiente nel vano cella. Assicurarsi che il coperchio dello strumento sia montato correttamente sul vano cella.
E-2	Errore LED <sup>1</sup>	Il LED (sorgente luminosa) è fuori regolazione. Sostituire le batterie. Accertarsi che il LED nel vano cella si accenda quando si preme ✓ o  .
E-3	Errore di regolazione standard	<ul style="list-style-type: none"><li>• Il valore misurato della soluzione standard supera i limiti di regolazione. Preparare uno standard nuovo.</li><li>• La soluzione standard non rientra nel range di concentrazione che può essere utilizzata per la modifica della calibrazione standard. Preparare uno standard con un valore pari o vicino alle concentrazioni consigliate fornite nella procedura.</li><li>• Assicurarsi che la concentrazione della soluzione standard venga immessa correttamente.</li></ul>

Errore	Descrizione	Soluzione
E-6	Errore di assorbanza	Il valore di assorbanza non è corretto o la curva di calibrazione immessa dall'utente presenta meno di due punti. Immettere o misurare di nuovo il valore di assorbanza.
E-7	Errore valore standard	La concentrazione della soluzione standard è uguale alla concentrazione di un'altra soluzione standard già specificata nella curva di calibrazione immessa dall'utente. Immettere la concentrazione standard corretta.
E-9	Errore memoria Flash	Lo strumento non è in grado di salvare i dati.
Valore lampeggiante	Il valore è superiore o inferiore alla gamma dello strumento. <sup>2</sup>	Se il valore è inferiore al range dello strumento, assicurarsi che il coperchio dello strumento sia montato correttamente sul vano cella. Misurare un bianco. Se il valore del bianco non è pari a zero, azzerare di nuovo lo strumento
		Se il valore è superiore al range dello strumento, identificare un eventuale percorso luminoso bloccato nel vano cella. Diluire il campione. Ripetere il test.
		Per i programmi impostati in fabbrica, i valori massimo e minimo sono sempre uguali ai valori calibrati in fabbrica e non sono modificabili.

- <sup>1</sup> Quando si verifica un errore E-1 o E-2 su una misurazione, il display visualizza “\_.”. La posizione decimale dipende dalla composizione chimica. Se si verifica l'errore E-1 o E-2 mentre lo strumento è azzerato, reimpostare lo strumento su zero.
- <sup>2</sup> Il valore lampeggiante sarà superiore del 10% al limite massimo della gamma di test.

## Parti di ricambio

### ▲ AVVERTENZA



Pericolo di lesioni personali. L'uso di parti non approvate può causare lesioni personali, danni alla strumentazione o malfunzionamenti dell'apparecchiatura. La parti di ricambio riportate in questa sezione sono approvate dal produttore.

**Nota:** Numeri di Prodotti e Articoli possono variare per alcune regioni di vendita. Contattare il distributore appropriato o fare riferimento al sito Web dell'azienda per dati di contatto.

## Parti di ricambio

Descrizione	Quantità	Prodotto n.
Batterie AAA, alcaline	4/conf	4674300
Cavo del coperchio	1	5955900
Coperchio dello strumento	1	5954800
Cella campione, 25 mm (10 ml), con tappi	6/conf	2427606
Cella campione, 1 mm (10 ml), con tappi	2/conf	4864302



# Table des matières

Caractéristiques à la page 57

Généralités à la page 58

Mise en marche à la page 62

Interface utilisateur et navigation  
à la page 63

Fonctionnement à la page 65

Maintenance à la page 70

Dépannage à la page 71

Pièces de rechange à la page 72

## Informations supplémentaires

Des informations supplémentaires sont disponibles sur le site Web du fabricant.

## Caractéristiques

Les caractéristiques techniques peuvent être modifiées sans préavis.

Caractéristique	Détails
Dimensions (l x P x H)	6,1 x 3,2 x 15,2 cm (2,4 x 1,25 x 6 pouces)
Boîtier	IP67, étanche à 1 m (3,3 pieds) pendant 30 minutes (compartiment pour batterie non inclus). Ne pas exposer à la lumière directe du soleil.
Source de lumière	Diode électroluminescente (DEL)
Détecteur	Photodiode au silicium
Ecran	Ecran LCD avec rétroéclairage
Poids	0,2 kg (0,43 lb)
Niveau de pollution	2
Catégorie d'installation	I
Classe de protection	3
Alimentation requise	4 piles AAA ; durée de vie permettant environ 2 000 tests (l'utilisation du rétroéclairage diminue cette durée) L'utilisation de piles rechargeables est déconseillée.
Environnement d'exploitation	0 à 50 °C (32 à 122 °F) ; 0 à 90 % d'humidité relative sans condensation

Caractéristique	Détails
Température de stockage	-20 à 55 °C (-7,6 à 131 °F)
Précision photométrique	± 0,0015 Abs
Longueur d'onde	Longueur d'onde fixe de ±2 nm, différente pour chaque modèle
Largeur de bande de filtre	15 nm
Plage d'absorbance	0 à 2,5 Abs
Longueur du trajet optique de la cuve à échantillon	1 cm (5-10 ml), 25 mm (10 ml)
Stockage des données	10 dernières mesures
Certifications	Marque CE
Garantie	2 ans

## Généralités

En aucun cas le constructeur ne saurait être responsable des dommages directs, indirects, spéciaux, accessoires ou consécutifs résultant d'un défaut ou d'une omission dans ce manuel. Le constructeur se réserve le droit d'apporter des modifications à ce manuel et aux produits décrits à tout moment, sans avertissement ni obligation. Les éditions révisées se trouvent sur le site Internet du fabricant.

## Consignes de sécurité

### AVIS

Le fabricant décline toute responsabilité quant aux dégâts liés à une application ou un usage inappropriés de ce produit, y compris, sans toutefois s'y limiter, des dommages directs ou indirects, ainsi que des dommages consécutifs, et rejette toute responsabilité quant à ces dommages dans la mesure où la loi applicable le permet. L'utilisateur est seul responsable de la vérification des risques d'application critiques et de la mise en place de mécanismes de protection des processus en cas de défaillance de l'équipement.

Veuillez lire l'ensemble du manuel avant le déballage, la configuration ou la mise en fonctionnement de cet appareil. Respectez toutes les déclarations de prudence et d'attention. Le non-respect de cette procédure peut conduire à des blessures graves de l'opérateur ou à des dégâts sur le matériel.

Assurez-vous que la protection fournie avec cet appareil n'est pas défaillante. N'utilisez ni n'installez cet appareil d'une façon différente de celle décrite dans ce manuel.

### Interprétation des indications de risques

#### **▲ DANGER**

Indique une situation de danger potentiel ou imminent qui, si elle n'est pas évitée, entraîne des blessures graves, voire mortelles.

#### **▲ AVERTISSEMENT**

Indique une situation de danger potentiel ou imminent qui, si elle n'est pas évitée, peut entraîner des blessures graves, voire mortelles.

#### **▲ ATTENTION**



Indique une situation de danger potentiel qui peut entraîner des blessures mineures ou légères.

#### **AVIS**

Indique une situation qui, si elle n'est pas évitée, peut occasionner l'endommagement du matériel. Informations nécessitant une attention particulière.

### Étiquettes de mise en garde

Lisez toutes les informations et toutes les étiquettes apposées sur l'appareil. Des personnes peuvent se blesser et le matériel peut être endommagé si ces instructions ne sont pas respectées. Un symbole sur l'appareil est référencé dans le manuel et accompagné d'une déclaration de mise en garde.

	Si l'appareil comporte ce symbole, reportez-vous au manuel d'utilisation pour consulter les informations de fonctionnement et de sécurité.
	Le matériel électrique portant ce symbole ne doit pas être mis au rebut dans les réseaux domestiques ou publics européens. Retournez le matériel usé ou en fin de vie au fabricant pour une mise au rebut sans frais pour l'utilisateur.

## Certification

### **Règlement canadien sur les équipements causant des interférences radio, IECS-003, Classe A:**

Les données d'essai correspondantes sont conservées chez le constructeur.

Cet appareil numérique de classe A respecte toutes les exigences du Règlement sur le matériel brouilleur du Canada.

Cet appareil numérique de classe A répond à toutes les exigences de la réglementation canadienne sur les équipements provoquant des interférences.

### **FCC part 15, limites de classe A :**

Les données d'essai correspondantes sont conservées chez le constructeur. L'appareil est conforme à la partie 15 de la réglementation FCC. Le fonctionnement est soumis aux conditions suivantes :

1. Cet équipement ne peut pas causer d'interférence nuisible.
2. Cet équipement doit accepter toutes les interférences reçues, y compris celles qui pourraient entraîner un fonctionnement inattendu.

Les modifications de cet équipement qui n'ont pas été expressément approuvées par le responsable de la conformité aux limites pourraient annuler l'autorité dont l'utilisateur dispose pour utiliser cet équipement. Cet équipement a été testé et déclaré conforme aux limites définies pour les appareils numériques de classe A, conformément à la section 15 de la réglementation FCC. Ces limites ont pour but de fournir une protection raisonnable contre les interférences néfastes lorsque l'équipement fonctionne dans un environnement commercial. Cet équipement génère, utilise et peut irradier l'énergie des fréquences radio et, s'il n'est pas installé ou utilisé conformément au mode d'emploi, il peut entraîner des interférences dangereuses pour les communications radio. Le fonctionnement de cet équipement dans une zone résidentielle risque de causer des interférences nuisibles, dans ce cas l'utilisateur doit corriger les interférences à ses frais Les techniques ci-dessous peuvent permettre de réduire les problèmes d'interférences :

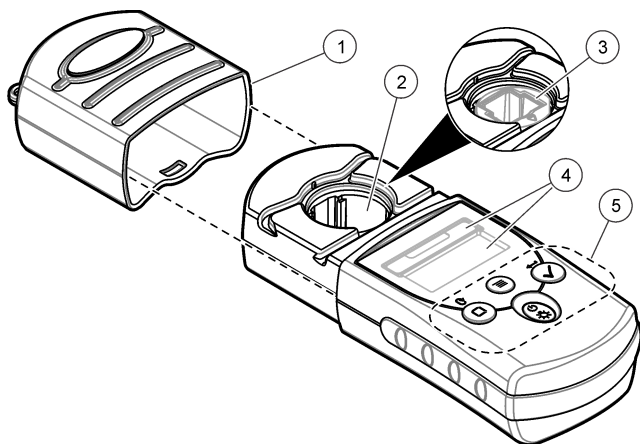
1. Éloigner l'équipement du dispositif qui reçoit l'interférence.
2. Repositionner l'antenne de réception du périphérique qui reçoit les interférences.
3. Essayer plusieurs des techniques ci-dessus à la fois.

## Présentation du produit

Cet instrument est un photomètre à filtre portable utilisé pour l'analyse de l'eau. Reportez-vous à la [Figure 22](#). Cet instrument est configuré en usine pour la mesure d'un ou de deux paramètres spécifiques. L'instrument est étalonné en usine. Aucun étalonnage ne doit être effectué par l'utilisateur.

**Remarque :** cet instrument n'a pas été testé pour la mesure de chlore et de chloramine dans les applications médicales aux Etats-Unis.

**Figure 22 Présentation de l'instrument**



1 Capuchon de l'instrument	3 Porte-cuve avec adaptateur pour cuves de 1 cm <sup>3</sup>	5 Clavier
2 Porte-cuve	4 Ecran	

<sup>1</sup> Installé en usine dans certains modèles

## Mise en marche

### Installation des piles

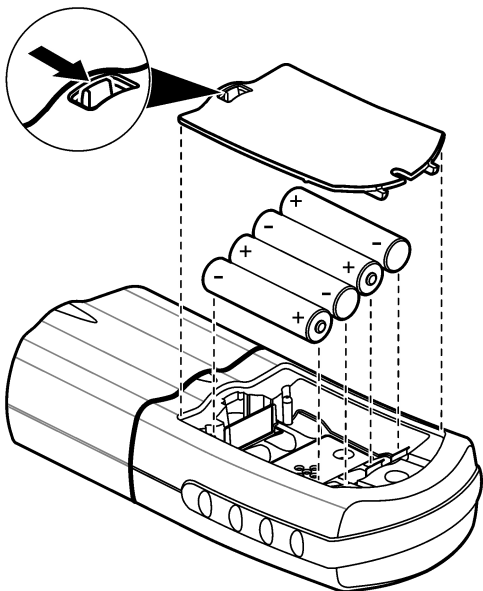
#### ⚠ AVERTISSEMENT



Risque d'explosion Une installation incorrecte des piles peut libérer des gaz explosifs. Veillez à ce que les piles soient du même type chimique homologué et qu'elles soient insérées dans le bon sens. Ne mélangez pas des piles neuves et des piles usagées.

Installez les piles tel qu'illustré sur la [Figure 23](#).

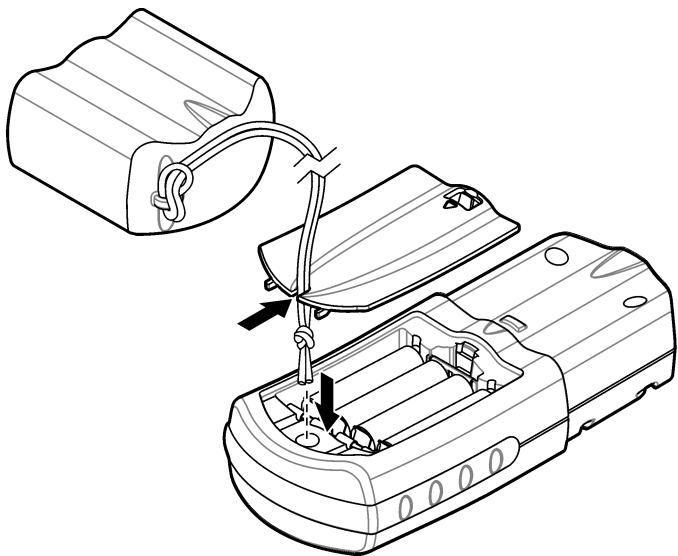
**Figure 23** Installation des piles



## Installation du cordon pour capuchon

Fixez le cordon pour capuchon afin d'éviter la perte du capuchon de l'instrument. Reportez-vous à la section [Figure 24](#).

**Figure 24** Installation du cordon pour capuchon

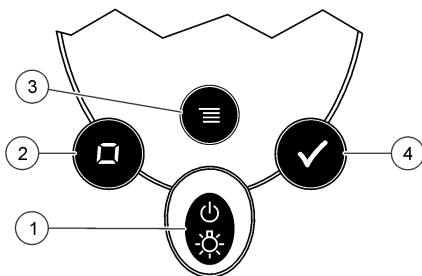


## Interface utilisateur et navigation

### Description du clavier

La [Figure 25](#) illustre le clavier et fournit des indications sur les fonctions des boutons.

**Figure 25 Clavier**



<p><b>1 Bouton d'alimentation/de rétroéclairage</b> : permet de mettre l'appareil sous/hors tension. Maintenez le bouton enfoncé pendant 1 seconde pour activer/désactiver le rétroéclairage.</p>	<p><b>3 Bouton de menu</b> : permet d'accéder au mode de menu et de le quitter.</p>
<p><b>2 Bouton d'étalonnage du zéro/de navigation</b> : permet d'étalonner le zéro de l'instrument et de parcourir les options de menu et les numéros.</p>	<p><b>4 Bouton de lecture/saisie</b> : permet de lancer une mesure d'échantillon, de sélectionner une option de menu et de déplacer le curseur jusqu'au chiffre suivant.</p>

## Description de l'écran

La [Figure 26](#) illustre les valeurs et icônes affichées à l'écran.



Figure 26 Ecran



<p><b>1</b> <b>Ecran numérique</b> : valeur mesurée ou options de menu</p>	<p><b>4</b> <b> Icône de menu</b> : l'instrument est en mode de menu.</p>
<p><b>2</b> <b> Icône de plage</b> : plage ou paramètre sélectionné(e)</p>	<p><b>5</b> <b> Icône d'ajustement de l'étalonnage</b> : l'étalonnage d'usine par défaut a été ajusté ou une courbe d'étalonnage utilisateur a été saisie. Consultez le manuel d'utilisation complet sur le site Web du fabricant.</p>
<p><b>3</b> <b>Valeur de plage</b> : plage(s) ou paramètres</p>	<p><b>6</b> <b> Icône de batterie faible</b> : le niveau de la batterie est de 10 %. L'icône clignote lorsque le niveau de la batterie est trop faible pour effectuer des mesures.</p>

## Fonctionnement









### Configuration de l'instrument

1. Appuyez sur ☰.
2. Appuyez sur □ pour parcourir les options de menu. Appuyez sur ✓ pour sélectionner une option.

Option	Description
--------	-------------

- |                   |   |
|-------------------|---|
| <p><b>SEL</b></p> | <p>Permet de définir une plage de mesure ou un paramètre. Appuyez sur ✓ pour alterner entre les plages de mesure et les paramètres.</p> |
|-------------------|---|

## Option Description

- 00:00** Permet de régler l'heure au format 24 heures (hh:mm). Appuyez sur  pour modifier l'heure. Appuyez sur  pour modifier le premier chiffre, puis sur  pour accéder au chiffre suivant.
- rCL** Permet d'afficher les 10 dernières mesures enregistrées. Appuyez sur  pour afficher les mesures enregistrées (01 : mesure la plus récente, 10 : mesure la plus ancienne). Appuyez sur  pour parcourir les mesures. Pour choisir une mesure en fonction de son numéro, appuyez sur  pour sélectionner le numéro, puis sur . Appuyez sur  pour quitter cette option.
- SCA** Consultez le manuel d'utilisation complet sur le site Web du fabricant.

3. Appuyez sur  pour revenir en mode de mesure.

## Réalisation d'un test

### AVERTISSEMENT





Risque d'exposition chimique. Respectez les procédures de sécurité du laboratoire et portez tous les équipements de protection personnelle adaptés aux produits chimiques que vous manipulez. Consultez les fiches de données de sécurité (MSDS/SDS) à jour pour connaître les protocoles de sécurité applicables.



Les étapes de mesure de base nécessaires à la réalisation d'un test sont les suivantes. Pour exécuter un test spécifique, consultez la méthode correspondante.

1. Sélectionnez la plage de mesure ou le paramètre applicable. Reportez-vous à la section [Configuration de l'instrument](#) à la page 65.
2. Préparez le blanc selon le document descriptif de la méthode. Assurez-vous d'utiliser une taille de cuve à échantillon adaptée. Rincez la cuve à échantillon et le capuchon avec le blanc avant de remplir la cuve à échantillon.
3. Fermez la cuve à échantillon et nettoyez les surfaces optiques de la cuve à échantillon avec un chiffon non pelucheux.
4. Insérez la cuve à échantillon blanc dans le porte-cuve. Assurez-vous d'installer la cuve à échantillon blanc correctement et dans

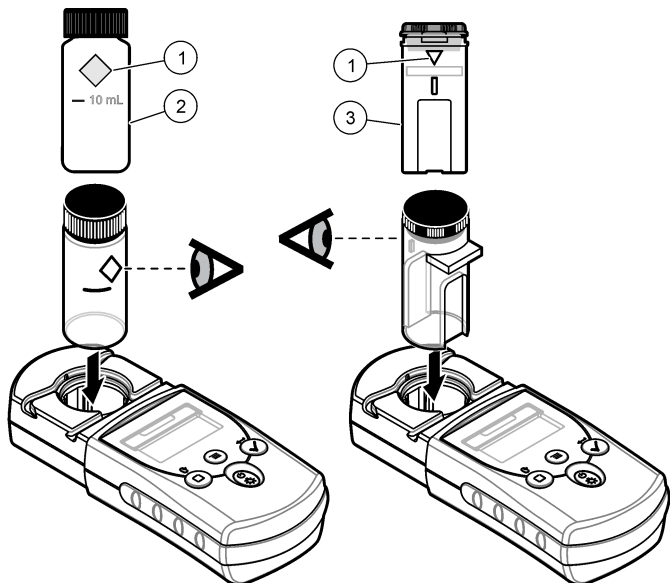
une orientation toujours identique pour obtenir des résultats plus répétables et précis. Voir [Figure 27](#).

5. Placez le capuchon de l'instrument sur le porte-cuve. Voir [Figure 28](#).
6. Appuyez sur  pour étalonner le zéro de l'instrument. L'écran affiche « 0.000 » ou le niveau de résolution précédemment sélectionné.
7. Préparation de l'échantillon. Rincez trois fois la cuve à échantillon et le capuchon avec l'échantillon avant de remplir la cuve à échantillon. Ajoutez les réactifs selon les indications du document de méthode.
8. Fermez la cuve à échantillon et nettoyez les surfaces optiques de la cuve avec un chiffon non pelucheux..
9. Insérez l'échantillon dans le porte-cuve. Assurez-vous d'installer la cuve à échantillon correctement et dans une orientation toujours identique pour obtenir des résultats plus répétables et précis. Voir [Figure 27](#).
10. Placez le capuchon de l'instrument sur le porte-cuve. Voir [Figure 28](#).
11. Appuyez sur . L'écran affiche les résultats en termes d'unités de concentration ou d'absorbance.

**Remarque :** le résultat clignote si celui-ci est inférieur ou supérieur à la plage de l'instrument.

12. Retirez l'échantillon préparé du porte-cuve.
13. Videz et rincez immédiatement la cuve à échantillon. Rincez trois fois la cuve à échantillon et le capuchon avec de l'eau déminéralisée.

**Figure 27 Orientation de la cuve à échantillon**

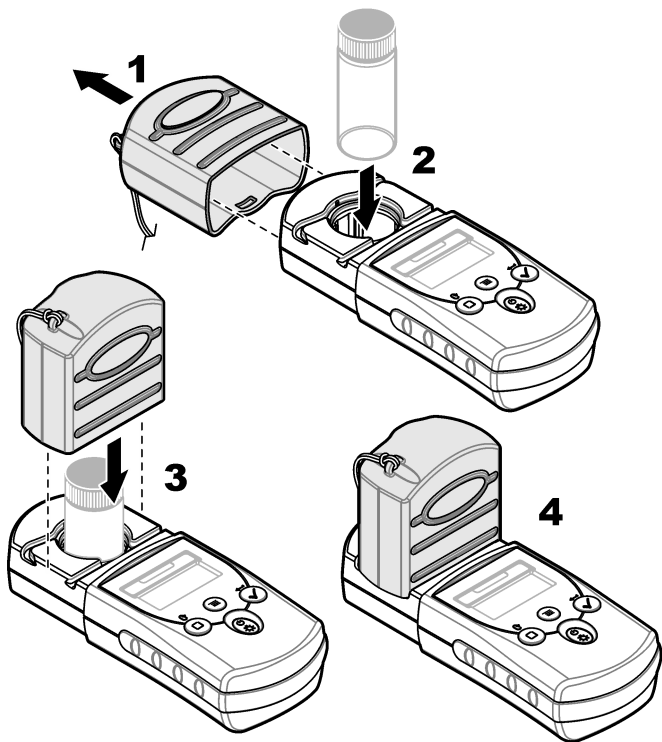


**1** Repère d'orientation

**2** Cuve à échantillon,  
25 mm (10 ml)

**3** Cuve à échantillon,  
1 cm (10 ml)

**Figure 28** Installation du capuchon de l'instrument sur le portecuve



### **Affichage des mesures enregistrées**

Reportez-vous à l'option « rCL » à la section [Configuration de l'instrument](#) à la page 65.

## Maintenance

### ▲ ATTENTION



Dangers multiples. Seul le personnel qualifié doit effectuer les tâches détaillées dans cette section du document.

### AVIS

Ne pas démonter l'appareil pour entretien. Si les composants internes doivent être nettoyés ou réparés, contactez le fabricant.

## Nettoyage de l'instrument

Nettoyez l'extérieur de l'instrument avec un chiffon humide, puis essuyez l'instrument en ne laissant aucune trace d'humidité.

## Nettoyage des cuves d'échantillon

### ▲ ATTENTION



Risque d'exposition chimique. Respectez les procédures de sécurité du laboratoire et portez tous les équipements de protection personnelle adaptés aux produits chimiques que vous manipulez. Consultez les fiches de données de sécurité (MSDS/SDS) à jour pour connaître les protocoles de sécurité applicables.



### ▲ ATTENTION



Risque d'exposition chimique. Mettez au rebut les substances chimiques et les déchets conformément aux réglementations locales, régionales et nationales.

La plupart des détergents de la laboratoires s'utilisent aux concentrations recommandées. Les détergents neutres, par exemple le Liquinox, sont plus sûrs quand un nettoyage régulier est nécessaire. Pour réduire le temps de nettoyage, augmentez la température ou utilisez un bain à ultrasons. Pour terminer le nettoyage, rincez plusieurs fois à l'eau déionisée, puis laissez sécher la cuve à échantillon à l'air.

Les cuves à échantillon peuvent également être nettoyées à l'acide, avant d'être rincées soigneusement à l'eau déionisée.


**Remarque :** Toujours utiliser de l'acide pour nettoyer les cuves à échantillon destinées aux essais de basse teneur en métaux.

Des méthodes de nettoyage spécifiques sont nécessaires pour certaines procédures. En cas d'utilisation d'une brosse pour nettoyer les cuves à échantillon, veillez à ne pas rayer la surface intérieure des cuves.

## Remplacement des piles

Remplacez les piles lorsque le niveau d'autonomie est faible. Reportez-vous à la section [Installation des piles](#) à la page 62.

## Dépannage

Erreur	Description	Solution
E-0	Pas de zéro	En mode d'étalonnage par l'utilisateur, une solution étalon a été mesurée avant l'étalonnage du zéro de l'instrument. Mesurez une solution de blanc pour étalonner le zéro de l'instrument.
E-1	Erreur de lumière ambiante <sup>1</sup>	La lumière ambiante s'infiltré dans le porte-cuve. Assurez-vous que le capuchon de l'instrument est parfaitement placé sur le porte-cuve.
E-2	Erreur de DEL <sup>1</sup>	La DEL (source lumineuse) n'est pas réglementaire. Remplacez les piles. Assurez-vous que la DEL située dans le porte-cuve s'allume lorsque vous appuyez sur ✓ ou  .
E-3	Erreur d'ajustement de l'étalon	<ul style="list-style-type: none"><li>• La valeur mesurée de la solution étalon est supérieure aux limites d'ajustement. Préparez un nouvel étalon.</li><li>• La solution étalon n'est pas comprise dans la plage de concentration pouvant être utilisée pour l'ajustement de l'étalon. Préparez un étalon dont la valeur est égale ou quasiment égale aux concentrations recommandées indiquées dans la procédure.</li><li>• Assurez-vous que la concentration de la solution étalon est saisie correctement.</li></ul>

Erreur	Description	Solution
E-6	Erreur d'absorbance	La valeur d'absorbance est incorrecte ou la courbe d'étalonnage saisie par l'utilisateur présente moins de deux points. Saisissez ou mesurez à nouveau la valeur d'absorbance.
E-7	Erreur de valeur d'étalon	La concentration de la solution étalon est égale à une autre concentration de solution étalon déjà saisie dans la courbe d'étalonnage saisie par l'utilisateur. Saisissez la concentration d'étalon correcte.
E-9	Erreur de clignotement	L'instrument n'est pas en mesure d'enregistrer les données.
La mesure clignote	La mesure est supérieure ou inférieure à la plage de l'instrument. <sup>2</sup>	Si la mesure est inférieure à la plage de l'instrument, assurez-vous que le capuchon de l'instrument est parfaitement installé sur le porte-cuve. Mesurez un blanc. Si la mesure du blanc n'est pas égale à zéro, étalonnez à nouveau le zéro de l'instrument.
		Si la mesure est supérieure à la plage de l'instrument, vérifiez toute occultation de lumière dans le porte-cuve. Diluez l'échantillon. Effectuez à nouveau le test.
		Pour les programmes étalonnés en usine, les valeurs maximale et minimale correspondent toujours aux valeurs étalonnées en usine et ne peuvent pas être modifiées.

- 1 Lorsqu'une erreur E-1 ou E-2 se produit au niveau d'une mesure, l'écran affiche «    ». La place de la décimale dépend de la chimie. Si une erreur E-1 ou E-2 se produit pendant l'étalonnage du zéro de l'instrument, effectuez à nouveau cette opération d'étalonnage du zéro.
- 2 La valeur qui clignote est 10 % supérieure à la limite haute de la plage de test.

## Pièces de rechange

### **▲ AVERTISSEMENT**



Risque de blessures corporelles. L'utilisation de pièces non approuvées comporte un risque de blessure, d'endommagement de l'appareil ou de panne d'équipement. Les pièces de rechange de cette section sont approuvées par le fabricant.



**Remarque :** Les numéros de référence de produit et d'article peuvent dépendre des régions de commercialisation. Prenez contact avec le distributeur approprié ou consultez le site web de la société pour connaître les personnes à contacter.

## Pièces de rechange

Description	Quantité	Article n°
Piles AAA, alcalines	Lot de 4	4674300
Cordon pour capuchon	1	5955900
Capuchon de l'instrument	1	5954800
Cuve à échantillon, 25 mm (10 ml), avec capuchons	Lot de 6	2427606
Cuve à échantillon, 1 cm (10 ml), avec capuchons	Lot de 2	4864302

## Tabla de contenidos

[Especificaciones](#) en la página 74

[Información general](#) en la página 75

[Puesta en marcha](#) en la página 79

[Interfaz del usuario y navegación](#)  
en la página 81

[Funcionamiento](#) en la página 83

[Mantenimiento](#) en la página 88

[Solución de problemas](#)  
en la página 89

[Piezas de repuesto](#) en la página 90

## Información adicional

En el sitio web del fabricante encontrará información adicional.

## Especificaciones

Las especificaciones están sujetas a cambios sin previo aviso.

Especificación	Detalles
Dimensiones (An x Pr x Al)	6,1 x 3,2 x 15,2 cm (2,4 x 1,25 x 6 pulg.)
Protección	IP67, impermeable a 1 m (3,3 pies) durante 30 minutos (excepto el compartimento de las pilas). No exponer a la luz solar directa.
Fuente de luz	Diodo de emisión de luz (LED)
Detector	Fotodiodo de silicón
Pantalla	LCD con retroiluminación
Peso	0,2 kg (0,43 lb)
Grado de contaminación	2
Tipo de instalación	1
Clase de protección	3
Requisitos de alimentación eléctrica	4 pilas AAA, con una vida aproximada de 2000 pruebas (la función de retroiluminación reduce esta cifra) No se recomienda el uso de pilas recargables.
Entorno operativo	De 0 a 50 °C (de 32 a 122 °F), del 0 al 90% de humedad relativa, sin condensación

Especificación	Detalles
Temperatura de almacenamiento	-20 a 55 °C (-7,6 a 131 °F)
Precisión fotométrica	± 0,0015 Abs
Wavelength (Longitud de onda)	Longitud de onda fija ±2 nm, varía en cada modelo
Ancho de banda del filtro	15 nm
Rango de absorbancia	0 a 2,5 Abs
Camino óptico de la cubeta de muestra	1 cm (de 5 a 10 ml), 25 mm (10 ml)
Almacenamiento de datos	Últimas 10 mediciones
Certificaciones	Marcado CE
Garantía	2 años

## Información general

En ningún caso el fabricante será responsable de ningún daño directo, indirecto, especial, accidental o resultante de un defecto u omisión en este manual. El fabricante se reserva el derecho a modificar este manual y los productos que describen en cualquier momento, sin aviso ni obligación. Las ediciones revisadas se encuentran en la página web del fabricante.

## Información de seguridad

### AVISO

El fabricante no es responsable de ningún daño debido a un mal uso de este producto incluyendo, sin limitación, daños directos, fortuitos o circunstanciales y reclamaciones sobre los daños que no estén recogidos en la legislación vigente. El usuario es el responsable de la identificación de los riesgos críticos y de tener los mecanismos adecuados de protección de los procesos en caso de un posible mal funcionamiento del equipo.

Lea todo el manual antes de desembalar, instalar o trabajar con este equipo. Ponga atención a todas las advertencias y avisos de peligro. El no hacerlo puede provocar heridas graves al usuario o daños al equipo.

Asegúrese de que la protección proporcionada por el equipo no está dañada. No utilice ni instale este equipo de manera distinta a lo especificado en este manual.

## Uso de la información sobre riesgos

### **▲ PELIGRO**

Indica una situación potencial o de riesgo inminente que, de no evitarse, provocará la muerte o lesiones graves.

### **▲ ADVERTENCIA**

Indica una situación potencial o inminentemente peligrosa que, de no evitarse, podría provocar la muerte o lesiones graves.

### **▲ PRECAUCIÓN**



Indica una situación potencialmente peligrosa que podría provocar una lesión menor o moderada.

### **AVISO**

Indica una situación que, si no se evita, puede provocar daños en el instrumento. Información que requiere especial énfasis.

## Etiquetas de precaución

Lea todas las etiquetas y rótulos adheridos al instrumento. En caso contrario, podrían producirse heridas personales o daños en el instrumento. El símbolo que aparezca en el instrumento se comentará en el manual con una declaración de precaución.

	Este símbolo (en caso de estar colocado en el equipo) hace referencia a las instrucciones de uso o a la información de seguridad del manual.
	En Europa, el equipo eléctrico marcado con este símbolo no se debe desechar mediante el servicio de recogida de basura doméstica o pública. Devuelva los equipos viejos o que hayan alcanzado el término de su vida útil al fabricante para su eliminación sin cargo para el usuario.

## **Certificación**

### **Reglamentación canadiense sobre equipos que provocan interferencia, IECS-003, Clase A**

Registros de pruebas de control del fabricante.

Este aparato digital de clase A cumple con todos los requerimientos de las reglamentaciones canadienses para equipos que producen interferencias.

Cet appareil numérique de classe A répond à toutes les exigences de la réglementation canadienne sur les équipements provoquant des interférences.

### **FCC Parte 15, Límites Clase "A"**

Registros de pruebas de control del fabricante. Este dispositivo cumple con la Parte 15 de las normas de la FCC estadounidense. Su operación está sujeta a las siguientes dos condiciones:

1. El equipo no puede causar interferencias perjudiciales.
2. Este equipo debe aceptar cualquier interferencia recibida, incluyendo las interferencias que pueden causar un funcionamiento no deseado.

Los cambios o modificaciones a este equipo que no hayan sido aprobados por la parte responsable podrían anular el permiso del usuario para operar el equipo. Este equipo ha sido probado y encontrado que cumple con los límites para un dispositivo digital Clase A, de acuerdo con la Parte 15 de las Reglas FCC. Estos límites están diseñados para proporcionar una protección razonable contra las interferencias perjudiciales cuando el equipo está operando en un entorno comercial. Este equipo genera, utiliza y puede irradiar energía de radio frecuencia, y si no es instalado y utilizado de acuerdo con el manual de instrucciones, puede causar una interferencia dañina a las radio comunicaciones. La operación de este equipo en un área residencial es probable que produzca interferencia dañina, en cuyo caso el usuario será requerido para corregir la interferencia bajo su propio cargo. Pueden utilizarse las siguientes técnicas para reducir los problemas de interferencia:

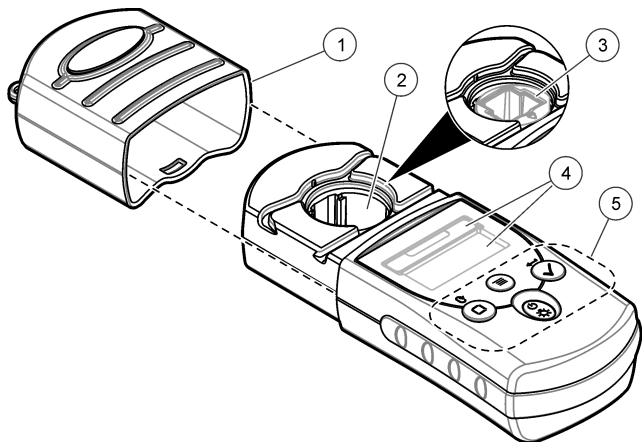
1. Aleje el equipo del dispositivo que está recibiendo la interferencia.
2. Cambie la posición de la antena del dispositivo que recibe la interferencia.
3. Trate combinaciones de las opciones descritas.

## **Descripción general del producto**

Este instrumento es un fotómetro de filtro portátil que sirve para realizar análisis del agua. Consulte la [Figura 29](#). El instrumento viene configurado de fábrica para medir uno o dos parámetros específicos. Este instrumento se calibra en fábrica. No se necesita hacer más calibraciones.

**Nota:** *Este instrumento no ha sido evaluado para medir el cloro ni las cloraminas en aplicaciones médicas en Estados Unidos.*

**Figura 29 Descripción general del instrumento**



1 Tapa del instrumento	3 Alojamiento de cubetas con adaptador de cubetas de 1 cm <sup>1</sup>	5 Teclado
2 Alojamiento de cubetas	4 Pantalla	

<sup>1</sup> Instalado en fábrica en algunos modelos

## Puesta en marcha

### Instalación de las pilas

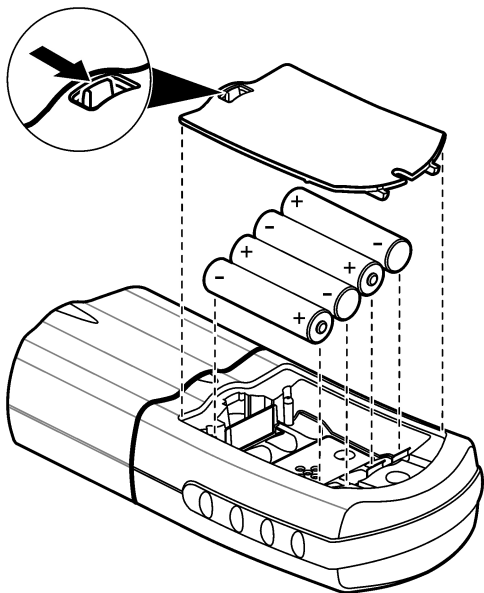
#### **▲ ADVERTENCIA**



Peligro de explosión. Si las pilas no están colocadas correctamente, se puede producir la liberación de gases explosivos. Asegúrese de que las pilas son del mismo tipo y material químico aprobado y están insertadas en el sentido correcto. No mezcle pilas nuevas y usadas.

Instale las pilas como se muestra en la [Figura 30](#).

**Figura 30** Instalación de las pilas

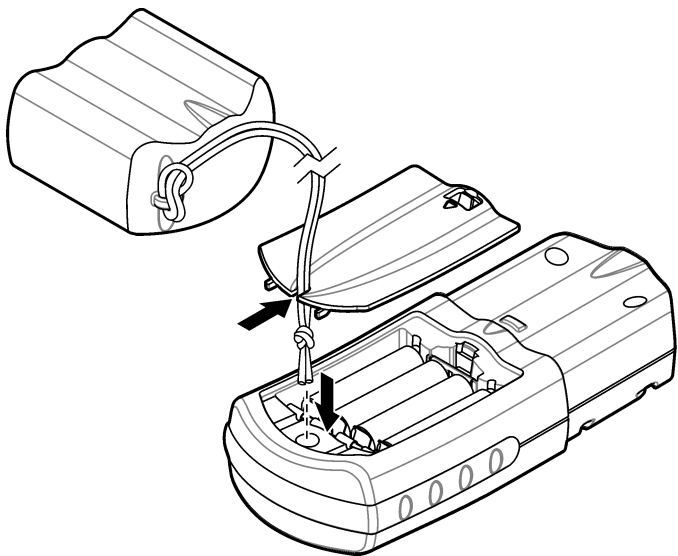




## Instalación del cable de la tapa

Coloque el cable de la tapa para evitar que la tapa del instrumento se pierda. Consulte la [Figura 31](#).

**Figura 31** Instalación del cable de la tapa

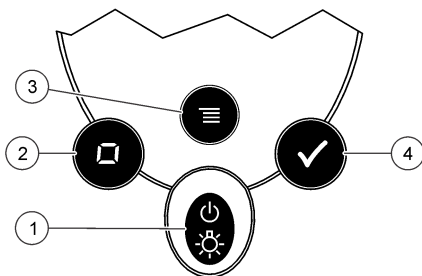


## Interfaz del usuario y navegación

### Descripción del teclado

La [Figura 32](#) muestra el teclado y describe las funciones de las teclas.

**Figura 32 Teclado**



<b>1 Tecla de encendido/retroiluminación:</b> enciende y apaga el instrumento. Mantenga pulsada esta tecla para encender o apagar la retroiluminación.	<b>3 Tecla de menú:</b> activa y desactiva el modo menú.
<b>2 Tecla cero/desplazamiento:</b> establece el instrumento en cero y permite desplazarse por los números y las opciones del menú.	<b>4 Tecla de lectura/Intro:</b> inicia la medición de una muestra, selecciona una opción del menú, desplaza el cursor al dígito siguiente.

## Descripción de la pantalla

En la [Figura 33](#) se muestran los valores y los iconos que aparecen en la pantalla.




Figura 33 Pantalla







<b>1 Pantalla numérica:</b> valores medidos u opciones de menú	<b>4 Icono de menú:</b> el instrumento está en el modo menú.
<b>2 Icono de rango:</b> rango o parámetro seleccionado	<b>5 Icono de ajuste de la calibración:</b> la calibración predeterminada de fábrica se ha ajustado o se ha introducido una curva de calibración definida por el usuario. Consulte la versión ampliada del manual del usuario disponible en la página web del fabricante.
<b>3 Valor de rango:</b> rango(s) o parámetros	<b>6 Icono de batería baja:</b> el nivel de batería está al 10%. Parpadea cuando el nivel de la batería es demasiado bajo para completar las mediciones.

## Funcionamiento

### Configuración del instrumento

1. Pulse .
2. Pulse  para desplazarse por las opciones del menú. Pulse  para seleccionar una opción.

Opción	Descripción
<b>SEL (Selección)</b>	Establece el rango de medición o el parámetro. Pulse  para alternar entre los rangos de medición o los parámetros.

Opción	Descripción
00:00	Establece la hora en formato de 24 horas (hh:mm). Pulse ✓ para cambiar la hora. Pulse  para cambiar el primer dígito y, a continuación, ✓ para pasar al dígito siguiente.
rCL (Recuperar)	Muestra las 10 últimas mediciones registradas. Pulse ✓ para mostrar las mediciones grabadas (01, medición más reciente; 10, medición más antigua). Pulse ✓ para navegar por las mediciones. Para seleccionar la medición por número, pulse  para seleccionar el número y, a continuación, ✓. Pulse  para salir de esta opción.
SCA (Ajuste de calibración estándar)	Consulte la versión ampliada del manual del usuario disponible en la página web del fabricante.

- Pulse  para volver al modo de medición.

## Realización de una prueba

### ▲ ADVERTENCIA





Peligro por exposición a productos químicos. Respete los procedimientos de seguridad del laboratorio y utilice el equipo de protección personal adecuado para las sustancias químicas que vaya a manipular. Consulte los protocolos de seguridad en las hojas de datos de seguridad actuales (MSDS/SDS).

Estos son los pasos de medición básicos necesarios para realizar una prueba. Consulte el método aplicable para llevar a cabo una prueba específica.

- Seleccione el parámetro o el rango de medición aplicable. Consulte la [Configuración del instrumento](#) en la página 83.
- Prepare el blanco según el documento del método. Asegúrese de utilizar el tamaño de cubeta de muestra correcto. Aclare la cubeta de muestra y la tapa con el blanco antes de llenar la cubeta.
- Cierre la cubeta de muestra y limpie la superficie de las ópticas con un paño sin de pelusas.
- Introduzca la cubeta del blanco de muestra en el alojamiento de cubetas. Asegúrese de colocar la cubeta del blanco de muestra en

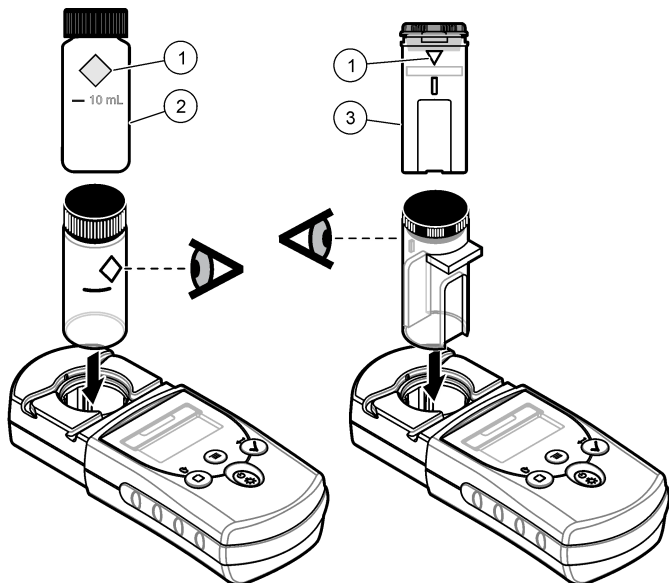
la orientación correcta y adecuada para que los resultados sean aceptables y precisos. Consulte la [Figura 34](#).

5. Coloque la tapa del instrumento sobre el alojamiento de cubetas. Consulte la [Figura 35](#).
6. Pulse  para poner el instrumento a cero. La pantalla muestra "0,000" o el grado de resolución que se haya seleccionado previamente.
7. Prepare la muestra. Enjuague la cubeta de muestra y la tapa con la muestra tres veces antes de llenar la cubeta. Agregue los reactivos como se especifica en el documento del método.
8. Cierre la cubeta de la muestra y limpie las superficies de las ópticas con un paño sin pelusas..
9. Coloque la muestra en el alojamiento de cubetas. Asegúrese de colocar la cubeta de la muestra en la orientación correcta y adecuada para que los resultados sean aceptables y precisos. Consulte la [Figura 34](#).
10. Coloque la tapa del instrumento sobre el alojamiento de cubetas. Consulte la [Figura 35](#).
11. Pulse . En la pantalla se mostrarán los resultados en unidades de concentración o absorbancia.

**Nota:** El resultado parpadea si es inferior o superior al rango del instrumento.

12. Retire la muestra preparada del alojamiento de cubetas.
13. Vacíe y aclare la cubeta de muestra inmediatamente. Aclare la cubeta de muestra y la tapa con agua desionizada.

**Figura 34 Orientación de la cubeta de muestra**

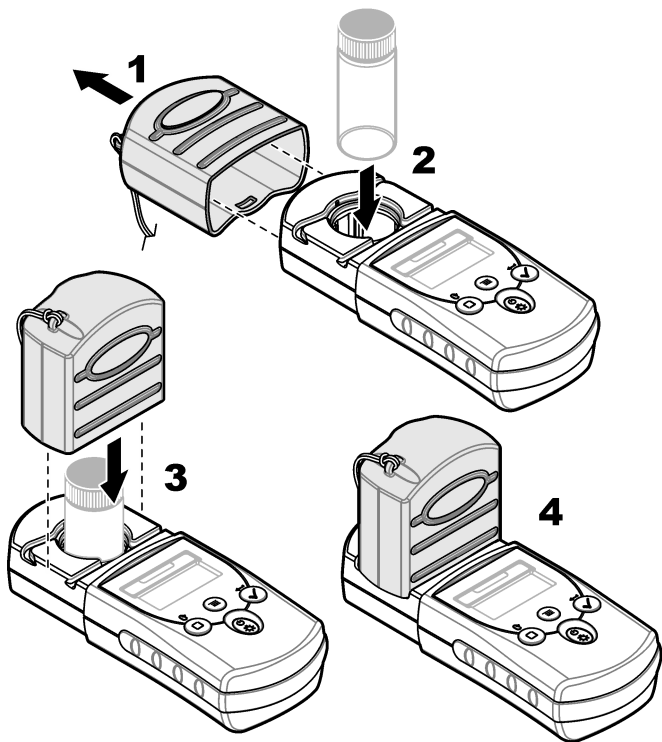


**1** Marca de orientación

**2** Cubeta de muestra  
de 25 mm (10 ml)

**3** Cubeta de muestra  
de 1 cm (10 ml)

**Figura 35** Coloque la tapa del instrumento sobre el alojamiento de cubetas



### **Recuperación de las mediciones registradas**

Consulte la opción "rCL (Recuperar)" en [Configuración del instrumento](#) en la página 83.

## Mantenimiento

### ⚠ PRECAUCIÓN



Peligros diversos. Sólo el personal cualificado debe realizar las tareas descritas en esta sección del documento.

### AVISO

No desmonte el instrumento para el mantenimiento. Si es necesario limpiar o reparar los componentes internos, póngase en contacto con el fabricante.

## Limpieza del instrumento

Limpie el exterior del instrumento con un paño húmedo y una solución jabonosa suave y, a continuación, seque el instrumento.

## Limpiar las cubetas de muestra

### ⚠ PRECAUCIÓN



Peligro por exposición a productos químicos. Respete los procedimientos de seguridad del laboratorio y utilice el equipo de protección personal adecuado para las sustancias químicas que vaya a manipular. Consulte los protocolos de seguridad en las hojas de datos de seguridad actuales (MSDS/SDS).



### ⚠ PRECAUCIÓN



Peligro por exposición a productos químicos. Deshágase de los productos químicos y los residuos de acuerdo con las normativas locales, regionales y nacionales.

La mayoría de los detergentes de laboratorio se usan en concentraciones recomendadas. El uso de los detergentes neutros, como el Liquinox, es más seguro cuando se necesita limpiar regularmente. Para disminuir el tiempo de limpieza, aumente la temperatura o use un baño ultrasónico. Para completar la limpieza, enjuague varias veces con agua desionizada y deje que la cubeta de muestra se seque.

Las cubetas de muestras también se pueden limpiar con ácido después de enjuagar bien con agua desionizada.





**Nota:** Siempre utilice ácido para limpiar las cubetas de muestras que se hayan utilizado para pruebas de metal de bajo nivel.

Los métodos de limpieza especial son necesarios para procedimientos individuales. Al utilizar un cepillo para limpiar las cubetas de muestras, tenga especial cuidado de no rayar la superficie interior de las mismas.

## Cambio de las pilas

Sustituya las pilas cuando el nivel de la batería sea bajo. Consulte la [Instalación de las pilas](#) en la página 79.

## Solución de problemas

Error	Descripción	Solución
E-0	No hay cero	En el modo de calibración del usuario, se ha medido una solución estándar antes de establecer el cero del instrumento. Mida una solución de blanco para establecer el instrumento a cero.
E-1	Error en la luz ambiente <sup>1</sup>	En el alojamiento de cubetas hay luz ambiente. Asegúrese de que la tapa del instrumento está totalmente colocada sobre el alojamiento de cubetas.
E-2	Error de LED <sup>1</sup>	El LED (fuente de luz) no está regulado. Cambie las pilas. Compruebe que el LED del alojamiento de cubetas se ilumina cuando se pulsa  o  .
E-3	Error de ajuste estándar	<ul style="list-style-type: none"><li>• El valor medido de la solución estándar es superior a los límites de ajuste. Prepare una solución estándar nueva.</li><li>• La solución estándar está fuera del rango de concentración que se puede utilizar para el ajuste de la calibración estándar. Prepare una solución estándar con un valor igual o aproximado a las concentraciones recomendadas para cada proceso.</li><li>• Asegúrese de que la concentración de la solución estándar se ha introducido correctamente.</li></ul>

Error	Descripción	Solución
E-6	Error de Abs	El valor de absorbancia no es correcto o la curva de calibración introducida por el usuario tiene menos de dos puntos. Vuelva a introducir o a medir un valor de absorbancia.
E-7	Error de valor estándar	La concentración de la solución estándar es igual a otra concentración de solución estándar que ya se ha introducido en la curva de calibración definida por el usuario. Indique la concentración estándar correcta.
E-9	Error de flash	El instrumento no puede guardar datos.
Parpadeos en la lectura	La lectura es superior o inferior al rango del instrumento. <sup>2</sup>	Si la lectura es inferior al rango del instrumento, asegúrese de que la tapa del instrumento está totalmente colocada sobre el alojamiento de cubetas. Mida una solución de blanco. Si la lectura del blanco no es cero, vuelva a establecer el instrumento en cero.
		Si la lectura es superior al rango del instrumento, compruebe que no hay bloqueos luminosos en el alojamiento de cubetas. Diluya la muestra. Repita la prueba.
		En los programas calibrados de fábrica, los valores de máximo y mínimo siempre igualan los valores calibrados de fábrica y no pueden modificarse.

- 1 Cuando se produce un error E-1 o E-2 durante una medición, en la pantalla aparecerá “\_.”. La posición decimal depende del proceso químico. Si se produce un error E-1 o E-2 mientras el instrumento se establece a cero, vuelva a establecerlo.
- 2 El valor de parpadeo es un 10% por encima del límite del rango de la prueba.

## Piezas de repuesto

### ▲ ADVERTENCIA



Peligro de lesión personal. El uso de piezas no aprobadas puede causar lesiones personales, daños al instrumento o un mal funcionamiento del equipo. Las piezas de repuesto que aparecen en esta sección están aprobadas por el fabricante.

**Nota:** Los números de producto y artículo pueden variar para algunas regiones de venta. Comuníquese con el distribuidor correspondiente o visite el sitio Web de la compañía para obtener la información de contacto.

## **Piezas de repuesto**

<b>Descripción</b>	<b>Cantidad</b>	<b>Referencia</b>
Pilas alcalina AAA	4/paquete	4674300
Cable de la tapa	1	5955900
Tapa del instrumento	1	5954800
Cubeta de muestra de 25 mm (10 ml) con tapa	6/paquete	2427606
Cubeta de muestra de 1 cm (10 ml) con tapa	2/paquete	4864302

# Índice

Especificações na página 92

Informação geral na página 93

Arranque na página 97

Interface do utilizador e navegação  
na página 99

Funcionamento na página 101

Manutenção na página 106

Resolução de problemas  
na página 107

Peças de substituição na página 109

## Informação adicional

Está disponível informação adicional no website do fabricante.

## Especificações

As especificações podem ser alteradas sem aviso prévio.

Especificação	Detalhes
Dimensões (L x P x A)	6.1 x 3.2 x 15.2 cm (2.4 x 1.25 x 6 pol.)
Estrutura	IP67, resistente à água a profundidades de 1 m (3,3 pés) durante 30 minutos (compartimento das pilhas não incluído). Manter fora do alcance da luz solar directa.
Fonte de luz	Díodo de emissão de luz (LED)
Detector	Fotodiodo de silício
Visor	LCD com retroiluminação
Peso	0.2 kg (0.43 lb)
Nível de poluição	2
Categoria de instalação	1
Classe de protecção	3
Requisitos de energia	4 pilhas AAA; vida útil para aproximadamente 2000 análises (a utilização da retroiluminação diminui este número) Não se recomenda a utilização de pilhas recarregáveis.

<b>Especificação</b>	<b>Detalhes</b>
Ambiente de funcionamento	0 a 50 °C (32 a 122 °F); 0 a 90% de humidade relativa sem condensação
Temperatura de armazenamento	-20 a 55 °C (-7.6 a 131 °F)
Precisão fotométrica	± 0,0015 Abs
Comprimento de onda	Comprimento de onda fixo de ±2 nm, diferente para cada modelo
Largura de banda do filtro	15 nm
Amplitude de absorvância	0% a 2,5 Abs
Comprimento do percurso do recipiente de amostra	1 cm (5–10 mL), 25 mm (10 mL)
Armazenamento de dados	Últimas 10 medições
Certificações	Marcação CE
Garantia	2 anos

## **Informação geral**

Em caso algum o fabricante será responsável por quaisquer danos directos, indirectos, especiais, acidentais ou consequenciais resultantes de qualquer incorrecção ou omissão deste manual. O fabricante reserva-se o direito de, a qualquer altura, efectuar alterações neste manual ou no produto nele descrito, sem necessidade de o comunicar ou quaisquer outras obrigações. As edições revistas encontram-se disponíveis no website do fabricante.

## **Informações de segurança**

### **ATENÇÃO**

O fabricante não é responsável por quaisquer danos resultantes da aplicação incorrecta ou utilização indevida deste produto, incluindo, mas não limitado a, danos directos, incidentais e consequenciais, não se responsabilizando por tais danos ao abrigo da lei aplicável. O utilizador é o único responsável pela identificação de riscos de aplicação críticos e pela instalação de mecanismos adequados para a protecção dos processos na eventualidade de uma avaria do equipamento.

Leia este manual até ao fim antes de desembalar, programar ou utilizar o aparelho. Dê atenção a todos os avisos relativos a perigos e

precauções. A não leitura destas instruções pode resultar em lesões graves para o utilizador ou em danos para o equipamento.

Certifique-se de que a protecção oferecida por este equipamento não é comprometida. Não o utilize ou instale senão da forma especificada neste manual.

## Uso da informação de perigo

### **PERIGO**

Indica uma situação de risco potencial ou eminente que, se não for evitada, resultará em morte ou lesão grave.

### **ADVERTÊNCIA**

Indica uma situação de perigo potencial ou eminente que, caso não seja evitada, poderá resultar na morte ou em ferimentos graves.

### **AVISO**

Indica uma situação de risco potencial, que pode resultar em lesão ligeira a moderada.

### **ATENÇÃO**

Indica uma situação que, caso não seja evitada, poderá causar danos no instrumento. Informação que requer ênfase especial.

## Avisos de precaução

Leia todos os avisos e etiquetas do instrumento. A sua não observação pode resultar em lesões para as pessoas ou em danos para o aparelho. Um símbolo no aparelho é referenciado no manual com uma frase de precaução.



Quando encontrar este símbolo no instrumento, isto significa que deverá consultar o manual de instruções para obter informações sobre o funcionamento do instrumento e/ou de segurança.



O equipamento eléctrico marcado com este símbolo não pode ser eliminado nos sistemas europeus de recolha de lixo doméstico e público. Devolva os equipamentos antigos ou próximos do final da sua vida útil ao fabricante para que os mesmos sejam eliminados sem custos para o utilizador.

## **Certificação**

### **Regulamento Canadano de Equipamentos Causadores de Interferências, IECS-003, Classe A:**

Os registos de suporte dos testes estão na posse do fabricante.

Este aparelho de Classe A obedece a todos os requisitos dos Regulamentos Canadanos de Equipamentos Causadores de Interferências.

Cet appareil numérique de classe A répond à toutes les exigences de la réglementation canadienne sur les équipements provoquant des interférences.

### **Parte 15 das Normas FCC, Limites da Classe “A”**

Os registos de suporte dos testes estão na posse do fabricante. Este aparelho está conforme com a Parte 15 das Normas FCC. O funcionamento está sujeito às duas condições seguintes:

1. O equipamento não provoca interferências nocivas.
2. O equipamento deve aceitar qualquer interferência recebida, incluindo interferências susceptíveis de determinar um funcionamento indesejado.

Alterações ou modificações efectuadas nesta unidade que não sejam expressamente aprovadas pela entidade responsável pela conformidade podem retirar ao utilizador a legitimidade de usar o aparelho. Este equipamento foi testado e considerado conforme relativamente aos limites para os dispositivos digitais de Classe A, de acordo com a Parte 15 das Normas FCC. Estes limites destinam-se a conferir uma protecção razoável contra interferências nocivas quando o equipamento é operado em ambiente comercial. Este equipamento gera, utiliza e pode irradiar energia de radiofrequência e, se não for instalado e utilizado em conformidade com o manual de instruções, poderá provocar interferências nocivas com comunicações por rádio. É provável que a utilização deste equipamento numa zona residencial provoque interferências nocivas. Neste caso, o utilizador deverá corrigi-las às suas próprias expensas. As técnicas a seguir podem ser utilizadas para diminuir os problemas de interferência:

1. Afaste o equipamento do dispositivo que está a receber a interferência.
2. Reposicione a antena de recepção do dispositivo que está a receber a interferência.
3. Experimente combinações das sugestões anteriores.

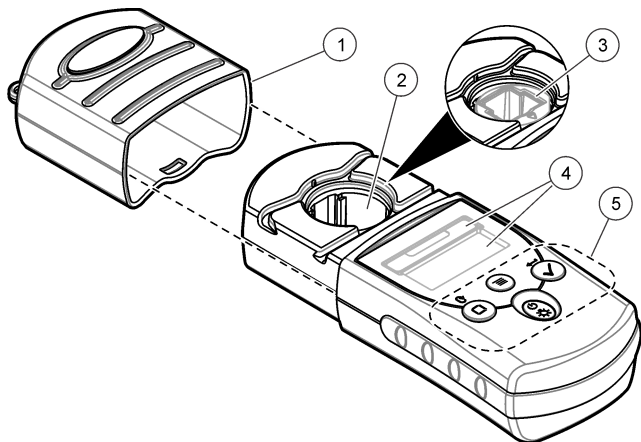
## **Vista geral do produto**

Este instrumento é um fotómetro de filtro portátil utilizado para realizar análises à água. Consulte a [Figura 36](#). Este instrumento foi configurado na fábrica para efectuar medições de um ou dois parâmetros específicos. Este instrumento foi calibrado na fábrica. Não necessita de ser calibrado pelo utilizador.

**Nota:** *Este instrumento não foi avaliado relativamente a medições de cloro e de clorâmidas em aplicações clínicas nos EUA.*



**Figura 36 Visão geral do instrumento**



1 Tampa do instrumento	3 Suporte do recipiente com adaptador de recipiente de 1 cm <sup>3</sup>	5 Teclado
2 Suporte do recipiente	4 Visor	

<sup>1</sup> Instalado de fábrica em alguns modelos

## Arranque

### Instalação das pilhas

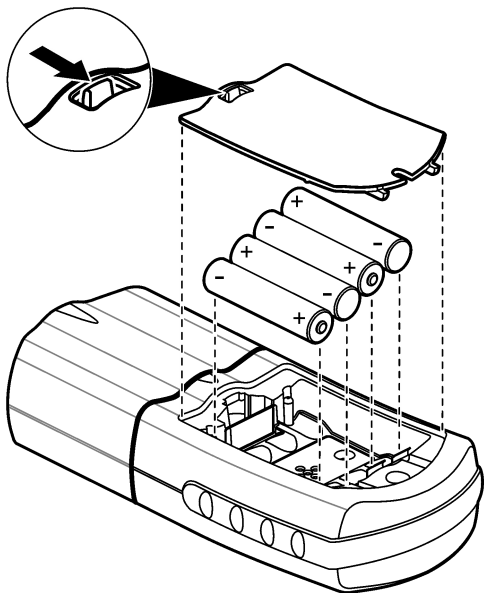
#### **▲ ADVERTÊNCIA**



Perigo de explosão. A instalação indevida das pilhas pode provocar a libertação de gases explosivos. Certifique-se de que as pilhas correspondem ao tipo de produto químico aprovado e de que as insere na orientação correcta. Não misture pilhas novas com pilhas usadas.

Coloque as pilhas tal como apresentado na [Figura 37](#).

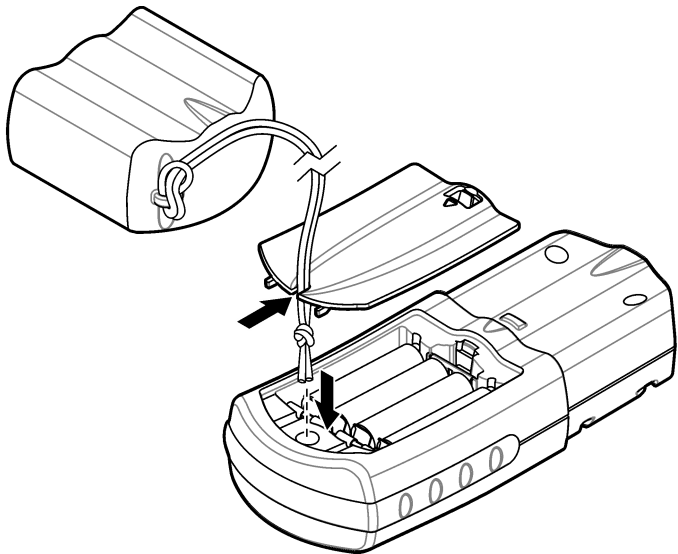
**Figura 37** Instalação das pilhas



## Instalação do cabo da tampa

Prenda o cabo da tampa para evitar perder a tampa do instrumento.  
Consulte a [Figura 38](#).

**Figura 38** Instalação do cabo da tampa

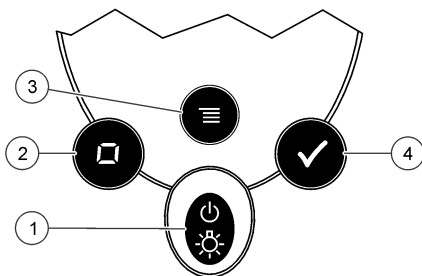


## Interface do utilizador e navegação

### Descrição do teclado

A [Figura 39](#) apresenta o teclado e indica as respectivas funções.

**Figura 39 Teclado**



<p><b>1 Tecla Alimentação/Retroiluminação</b> Permite ligar e desligar o instrumento. Mantenha a tecla premida durante 1 segundo para ligar ou desligar a retroiluminação.</p>	<p><b>3 Tecla menu:</b> Permite entrar e sair do modo de menu.</p>
<p><b>2 Tecla Zero/Deslocação</b> Repõe o instrumento a zero e permite a navegação pelos números e as opções do menu</p>	<p><b>4 Tecla Ler/Enter</b> Permite iniciar uma medição da amostra, seleccionar uma opção de menu e mover o cursor para o dígito seguinte</p>

## Descrição do ecrã

A [Figura 40](#) apresenta os valores e os ícones apresentados no ecrã.

Figura 40 Visor



<b>1 Visor numérico:</b> Valores medidos ou opções do menu	<b>4 Ícone de menu:</b> O instrumento está no modo de menu.
<b>2 Ícone de amplitude:</b> amplitude ou parâmetro seleccionado	<b>5 Ícone de calibração ajustada:</b> A calibração predefinida de fábrica foi ajustada ou foi introduzida uma curva de calibração pelo utilizador. Consulte a versão completa do manual do utilizador no website do fabricante.
<b>3 Valor da amplitude:</b> amplitude(s) ou parâmetros	<b>6 Ícone de pilhas fracas:</b> O nível das pilhas encontra-se a 10%. Fica intermitente quando o nível das pilhas é demasiado baixo para completar as medições.

## Funcionamento



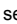
### Configuração do instrumento

1. Prima .
2. Prima para navegar pelas opções do menu. Prima para seleccionar uma opção.

Opção	Descrição
-------	-----------

<b>SEL</b>	Define o parâmetro ou a amplitude de medição. Prima  para alternar entre o parâmetro ou as amplitudes de medição.
------------	---

## Opção Descrição

- 00:00** Define a hora no formato de 24 horas (hh:mm). Prima ✓ para alterar a hora. Prima  para alterar o primeiro dígito e, em seguida, ✓ para passar para o dígito seguinte.
- rCL** Apresenta as últimas 10 medições gravadas. Prima ✓ para que as medições gravadas sejam apresentadas (01—medição mais recente 10—medição mais antiga). Prima ✓ para se deslocar através das medições. Para seleccionar uma medição por número, prima  para seleccionar o número e, em seguida, ✓. Prima  para sair desta opção.
- SCA** Consulte a versão completa do manual do utilizador no website do fabricante.

3. Prima  para voltar ao modo de medição.

## Realize uma análise

### ADVERTÊNCIA





Perigo de exposição a produtos químicos. Siga os procedimentos de segurança do laboratório e utilize todo o equipamento de protecção pessoal adequado aos produtos químicos manuseados. Consulte as fichas de dados sobre segurança de materiais (MSDS/SDS) para protocolos de segurança.



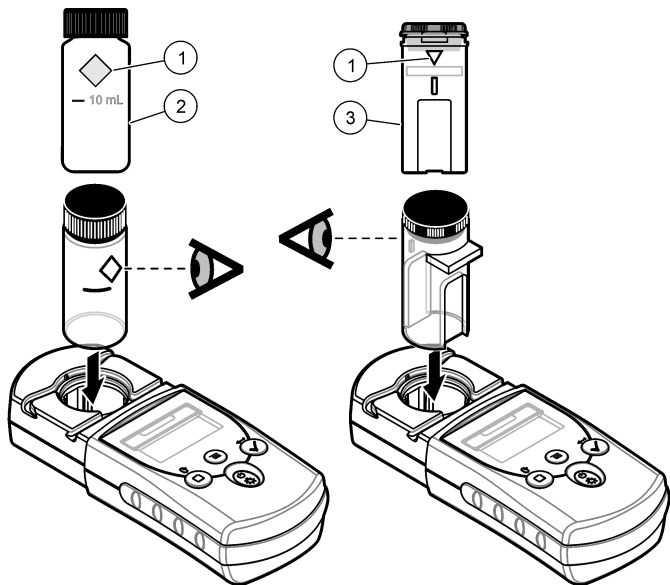
Em seguida são apresentados os passos de medição básicos necessários para realizar uma análise. Consulte o método aplicável para executar um teste específico.

1. Selecciona o parâmetro ou amplitude de medição aplicável. Consulte a [Configuração do instrumento](#) na página 101.
2. Prepare o vazio de acordo com o documento do método. Certifique-se de que utiliza o tamanho correcto de recipiente de amostra. Enxagúe a tampa e o recipiente de amostra com a amostra vazia antes de encher o recipiente de amostra.
3. Feche o recipiente de amostra e limpe as superfícies ópticas do recipiente com um pano sem pêlos.
4. Introduza o recipiente de amostra vazio no suporte do recipiente. Certifique-se de que instala o recipiente de amostra vazio na

posição correcta e de modo consistente para que os resultados sejam repetíveis e exactos. Consulte [Figura 41](#).

5. Instale a tampa do instrumento sobre o suporte do recipiente. Consulte [Figura 42](#).
6. Prima  para definir o instrumento para zero. O visor apresenta "0.000" ou o grau de resolução que foi anteriormente seleccionado.
7. Prepare a amostra. Enxagúe três vezes a tampa e o recipiente de amostra com a amostra antes de encher o recipiente de amostra. Adicione reagentes conforme especificado pelo documento do método.
8. Feche o recipiente de amostra e limpe as superfícies ópticas do recipiente com um pano sem pêlos..
9. Introduza a amostra no suporte do recipiente. Certifique-se de que instala o recipiente de amostra na posição correcta e de modo consistente para que os resultados sejam repetíveis e exactos. Consulte [Figura 41](#).
10. Instale a tampa do instrumento sobre o suporte do recipiente. Consulte [Figura 42](#).
11. Prima . O visor apresenta os resultados em unidades de concentração ou absorvância.  
*Nota: O resultado é apresentado de forma intermitente, caso seja inferior ou superior à amplitude do instrumento.*
12. Retire a amostra preparada do suporte do recipiente.
13. Esvazie e enxagúe de imediato o recipiente de amostra. Enxagúe três vezes a tampa e o recipiente de amostra com água desionizada.

**Figura 41** Orientação do recipiente de amostra



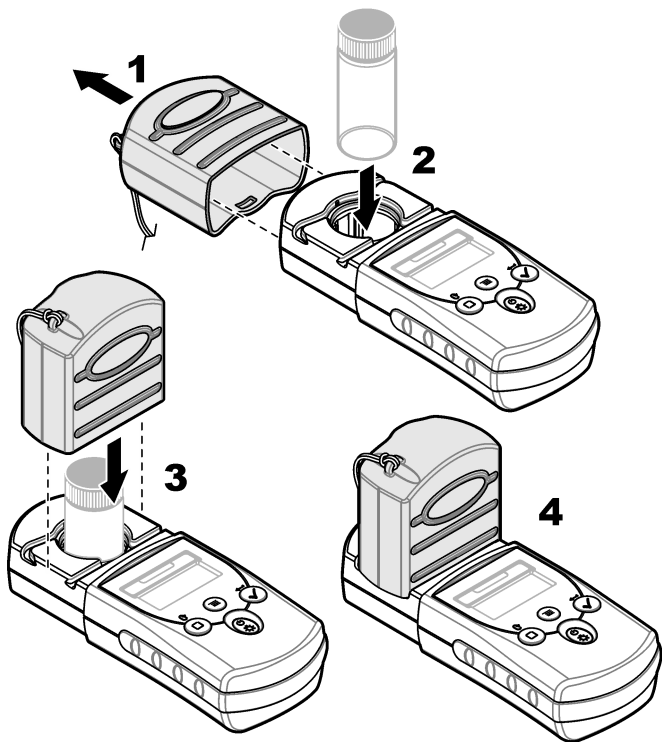
**1** Marca de orientação

**2** Recipiente de amostra, 25 mm (10 mL)

**3** Recipiente de amostra, 1 cm (10 mL)



**Figura 42** Instalação da tampa do instrumento sobre o suporte do recipiente



### **Apresentação das medições guardadas**

Consulte a opção "rCL" na [Configuração do instrumento](#) na página 101.

## Manutenção

### ⚠ AVISO



Vários perigos. Apenas pessoal qualificado deverá realizar as tarefas descritas nesta secção do documento.

### ATENÇÃO

Não desmonte o instrumento para proceder à manutenção. Se for necessário limpar ou reparar os componentes internos, contacte o fabricante.

## Limpeza do produto

Limpe a parte exterior do instrumento com um pano humedecido e uma solução de detergente suave e depois seque o instrumento.

## Limpeza dos recipientes de amostra

### ⚠ AVISO



Perigo de exposição a produtos químicos. Siga os procedimentos de segurança do laboratório e utilize todo o equipamento de protecção pessoal adequado aos produtos químicos manuseados. Consulte as fichas de dados sobre segurança de materiais (MSDS/SDS) para protocolos de segurança.



### ⚠ AVISO



Perigo de exposição a produtos químicos. Elimine os produtos químicos e os resíduos de acordo com as regulamentações locais, regionais e nacionais.

A maioria dos detergentes de laboratório são utilizados com as concentrações recomendadas. Os detergentes neutros, como o Liquinox, são mais seguros quando é necessária uma limpeza regular. Para diminuir os tempos de limpeza, aumente a temperatura ou utilize um banho de ultrassons. Para terminar a limpeza, enxague algumas vezes com água desionizada e, em seguida, deixe o recipiente de amostra secar ao ar.

A limpeza dos recipientes de amostra também pode ser feita com ácido, seguido de um enxaguamento por completo com água desionizada.


**Nota:** Utilize sempre ácido para lavar os recipientes de amostra que tenham sido usados para testes de metal de baixo nível

Certos procedimentos requerem métodos de limpeza especiais. Se for utilizada uma escova para limpar os recipientes de amostra, é necessário ter cuidado adicional para evitar riscar as superfícies interiores dos recipientes de amostra.

## Substituir as pilhas

Substitua as pilhas quando o nível de potência das mesmas se encontrar demasiado baixo. Consulte a [Instalação das pilhas](#) na página 97.

## Resolução de problemas

Erro	Descrição	Solução
E-0	Não a zero	Foi medida uma solução padrão, no modo de calibração pelo utilizador, antes de o valor zero do instrumento ser definido. Meça uma solução de vazio para definir o instrumento para zero.
E-1	Erro de iluminação ambiente <sup>1</sup>	Existe iluminação ambiente no suporte do recipiente. Certifique-se de que a tampa do instrumento se encontra completamente instalada sobre o suporte do recipiente.
E-2	Erro do LED <sup>1</sup>	O LED (fonte de iluminação) está desregulado. Substituir as pilhas. Certifique-se de que o LED existente no suporte do recipiente acende quando se prime ✓ ou  .

Erro	Descrição	Solução
E-3	Erro de ajuste padrão	<ul style="list-style-type: none"> <li>• O valor medido da solução padrão é superior aos limites de ajuste. Prepare uma solução padrão nova.</li> <li>• A solução padrão não se encontra dentro da amplitude de concentração que pode ser utilizada para o ajuste da calibração padrão. Prepare uma solução padrão com um valor dentro ou próximo das concentrações recomendadas indicadas no procedimento.</li> <li>• Certifique-se de que a concentração da solução padrão é correctamente introduzida.</li> </ul>
E-6	Erro de Abs	O valor de absorvância não se encontra correcto ou a curva de calibração introduzida pelo utilizador possui menos de dois pontos. Introduza ou meça novamente o valor de absorvância.
E-7	Erro de valor padrão	A concentração de solução padrão é igual a outra concentração de solução padrão já introduzida na curva de calibração introduzida pelo utilizador. Introduza a concentração padrão correcta.
E-9	Erro intermitente	O instrumento não consegue guardar os dados.

Erro	Descrição	Solução
Intermitências de leitura	A leitura é superior ou inferior à amplitude do instrumento. <sup>2</sup>	Se a leitura for superior à amplitude do instrumento, certifique-se de que a tampa do instrumento se encontra completamente instalada sobre o suporte do recipiente. Meça uma amostra de vazio. Se a leitura da amostra de vazio não for zero, defina novamente o instrumento para zero.
		Se a leitura tiver um valor superior à amplitude do instrumento, verifique se existe algum bloqueio de iluminação no o suporte do recipiente. Dilua a amostra. Volte a realizar a análise.
		Para programas calibrados em fábrica, os valores máximos e mínimos são sempre iguais aos valores calibrados em fábrica e não podem ser alterados.

- <sup>1</sup> Quando ocorre um erro E-1 ou E-2 numa medição, o visor apresenta “\_.\_.”. A casa decimal depende da composição química. Se ocorrerem os erros E-1 ou E-2 durante a definição para zero do instrumento, defina novamente o instrumento para zero.
- <sup>2</sup> O valor intermitente será de 10% acima do limite superior de amplitude para a análise.

## Peças de substituição

### ▲ ADVERTÊNCIA



Perigo de ferimentos. A utilização de peças não aprovadas poderá causar ferimentos, danos no instrumento ou avarias no equipamento. As peças de substituição mencionadas nesta secção foram aprovadas pelo fabricante.

**Nota:** Os números do Produto e Artigo podem variar consoante as regiões de venda. Para mais informações de contacto, contacte o distribuidor apropriado ou consulte o site web da empresa.

## Peças de substituição

Descrição	Quantidade	Item n.º
Pilhas AAA, alcalinas	4/pkg	4674300
Cabo da tampa	1	5955900
Tampa do instrumento	1	5954800
Recipiente de amostra, 25 mm (10 mL), com tampas	6/pkg	2427606
Recipiente de amostra, 1 cm (10 mL), com tampas	2/pkg	4864302

# Inhoudsopgave

[Specificaties](#) op pagina 111

[Algemene informatie](#) op pagina 112

[Opstarten](#) op pagina 116

[Gebruikersinterface en navigatie](#)  
op pagina 117

[Bediening](#) op pagina 119

[Onderhoud](#) op pagina 124

[Problemen oplossen](#) op pagina 125

[Reserveonderdelen](#) op pagina 127

## Meer informatie

Meer informatie vindt u op de website van de fabrikant

## Specificaties

Specificaties kunnen zonder kennisgeving vooraf worden gewijzigd.

Specificatie	Details
Afmetingen (B x D x H)	6,1 x 3,2 x 15,2 cm (2,4 x 1,25 x 6 inch)
Behuizing	IP67, waterdicht op een diepte van 1 m (3,3 ft) gedurende 30 minuten (batterijvak niet inbegrepen). Niet blootstellen aan direct zonlicht.
Lichtbron	Light emitting diode (LED)
Detector	Siliconen fotodiode
Display	LCD met achtergrondverlichting
Gewicht	0,2 kg (0,43 lb)
Vervuilingsgraad	2
Installatiecategorie	I
Beschermingsklasse	3
Voedingseisen	4 AAA-batterijen; geschatte levensduur van 2000 tests (bij gebruik van achtergrondverlichting is dit aantal lager) Oplaadbare batterijen worden niet aanbevolen.
Bedrijfsomgeving	0 tot 50 °C (32 tot 122 °F), 0 tot 90% relatieve vochtigheid, niet-condenserend
Opslagtemperatuur	-20 tot 55 °C (-7,6 tot 131 °F)
Fotometrische precisie	± 0,0015 abs

Specificatie	Details
Golflengte	Vaste golflengte $\pm 2$ nm, verschillend voor elk model
Bandbreedte van filter	15 nm
Absorptiebereik	0 tot 2,5 abs
Weglengte van monsterkuvet	1 cm (5–10 ml), 25 mm (10 ml)
Gegevensopslag	Laatste 10 metingen
Certificeringen	CE-markering
Garantie	2 jaar

## Algemene informatie

De fabrikant kan onder geen enkele omstandigheid aansprakelijk worden gesteld voor directe, indirecte, speciale, incidentele of continue schade die als gevolg van enig defect of onvolledigheid in deze handleiding is ontstaan. De fabrikant behoudt het recht om op elk moment, zonder verdere melding of verplichtingen, in deze handleiding en de producten die daarin worden beschreven, wijzigingen door te voeren. Gewijzigde versies zijn beschikbaar op de website van de fabrikant.

## Veiligheidsinformatie

### LET OP

De fabrikant is niet verantwoordelijk voor enige schade door onjuist toepassen of onjuist gebruik van dit product met inbegrip van, zonder beperking, directe, incidentele en gevolgschade, en vrijwaart zich volledig voor dergelijke schade voor zover dit wettelijk is toegestaan. Uitsluitend de gebruiker is verantwoordelijk voor het identificeren van kritische toepassingsrisico's en het installeren van de juiste mechanismen om processen te beschermen bij een mogelijk onjuist functioneren van apparatuur.

Lees deze handleiding voor het uitpakken, installeren of gebruiken van het instrument. Let op alle waarschuwingen. Wanneer u dit niet doet, kan dit leiden tot ernstig persoonlijk letsel of schade aan het instrument.

Controleer voor gebruik of het instrument niet beschadigd is. Het instrument mag op geen andere wijze gebruikt worden dan als in deze handleiding beschreven.



## Gebruik van gevareninformatie

### ▲ GEVAAR

Geeft een potentieel gevaarlijke of dreigende situatie aan die, als deze niet kan worden voorkomen, kan resulteren in dodelijk of ernstig letsel.

### ▲ WAARSCHUWING

Geeft een potentieel of op handen zijnde gevaarlijke situatie aan, die als deze niet wordt vermeden, kan leiden tot dood of ernstig letsel.

### ▲ VOORZICHTIG



Geeft een mogelijk gevaarlijke situatie aan die kan resulteren in minder ernstig letsel of lichte verwondingen.

### LET OP

Duidt een situatie aan die (indien niet wordt voorkomen) kan resulteren in beschadiging van het apparaat. Informatie die speciaal moet worden benadrukt.

## Waarschuwinglabels

Lees alle labels en etiketten die op het instrument zijn bevestigd. Het niet naleven van deze waarschuwingen kan leiden tot letsel of beschadiging van het instrument. In de handleiding wordt door middel van een veiligheidsvoorschrift uitleg gegeven over een symbool op het instrument.

	Dit symbool, indien op het instrument aangegeven, verwijst naar de handleiding voor bediening en/of veiligheidsinformatie.
	Elektrische apparatuur gemarkeerd met dit symbool mag niet worden afgevoerd via Europese systemen voor afvoer van huishoudelijk of openbaar afval. Oude apparatuur of apparatuur aan het einde van zijn levensduur kan naar de fabrikant worden geretourneerd voor kosteloze verwerking.

## Certificering

### IECS-003 certificering ten aanzien van radio-interferentie, Klasse A:

Aanvullende informatie en testresultaten zijn via de fabrikant verkrijgbaar.

Dit Klasse A instrument voldoet aan alle eisen van de Canadese norm IECS-003.

Cet appareil numérique de classe A répond à toutes les exigences de la réglementation canadienne sur les équipements provoquant des interférences.

### **FCC deel 15, Klasse "A" bepalingen**

Aanvullende informatie en testresultaten zijn via de fabrikant verkrijgbaar. Dit instrument voldoet aan Deel 15 van de FCC-voorschriften. Het gebruik van dit instrument is aan de volgende voorwaarden onderworpen:

1. Het instrument mag geen schadelijke storingen veroorzaken.
2. Het instrument moet elke willekeurige ontvangen storing accepteren, inclusief storingen die mogelijk een ongewenste invloed kunnen hebben.

Door veranderingen of aanpassingen aan dit toestel die niet uitdrukkelijk zijn goedgekeurd door de partij verantwoordelijk voor certificering, kan de certificering van dit instrument, komen te vervallen. Dit apparaat is getest en voldoet aan de normen voor een elektrisch instrument van Klasse A, volgens Deel 15 van de FCC-voorschriften. Deze voorwaarden zijn opgesteld dat ze een goede bescherming bieden tegen hinderlijke storingen wanneer het instrument in een bedrijfsgerelateerde toepassing wordt gebruikt. Dit instrument produceert, gebruikt en kan radiogolven uitstralen. Wanneer het niet geïnstalleerd en gebruikt wordt volgens de handleiding, hinderlijke storing voor radiocommunicatie veroorzaken. Werking van het instrument in een huiselijke omgeving zal waarschijnlijk zorgen voor hinderlijke storing, in welk geval de gebruiker de storing dient te verhelpen. Om storingen op te lossen kan het volgende geprobeerd worden:

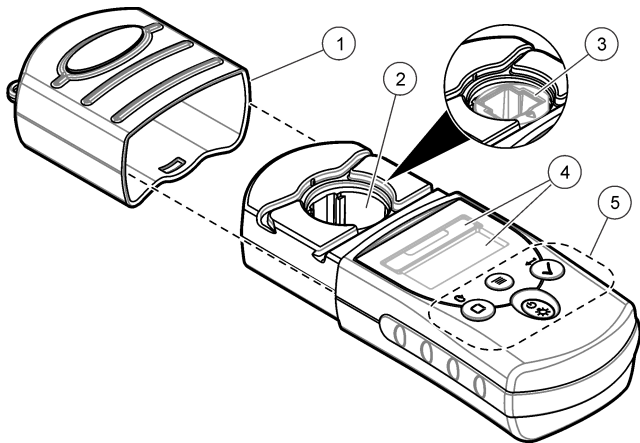
1. Plaats het apparaat weg van het apparaat waarop de storing van toepassing is.
2. Verplaats de ontvangstantenne voor het apparaat dat de storing ontvangt.
3. Probeer verschillende combinaties van de hierbovengenoemde suggesties.

## Productoverzicht

Dit instrument is een draagbare filterfotometer die wordt gebruikt voor het testen van water. Raadpleeg [Afbeelding 43](#). Dit instrument is in de fabriek geconfigureerd om een of twee specifieke parameters te meten. Dit instrument is in de fabriek gekalibreerd. Er is geen kalibratie door de gebruiker nodig.

**Opmerking:** Dit instrument is niet beoordeeld om chloor en chlooramines te meten in medische toepassingen in de Verenigde Staten.

**Afbeelding 43** Apparaatoverzicht



1 Kap van het instrument	3 Meetschacht met kuvettenadapter van 1 cm <sup>1</sup>	5 Toetsenbord
2 Meetschacht	4 Display	

<sup>1</sup> Bij sommige modellen in de fabriek geïnstalleerd

## Opstarten

### De batterijen plaatsen

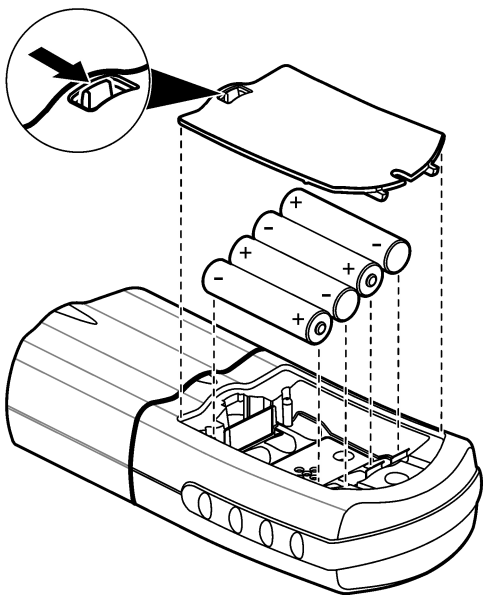
#### ⚠ WAARSCHUWING



Explosiegevaar. Door onjuiste plaatsing van de batterijen kunnen explosieve gassen vrijkomen. Controleer of de batterijen van hetzelfde goedgekeurde chemische type zijn en in de juiste richting zijn aangebracht. Gebruik nieuwe batterijen nooit samen met oude batterijen.

Plaats de batterijen zoals getoond in [Afbeelding 44](#).

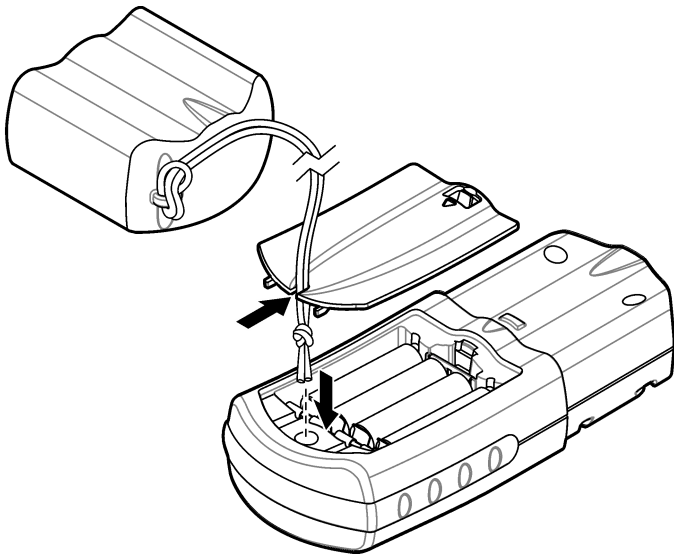
#### Afbeelding 44 Batterijen plaatsen



## Koord van de kap aanbrengen

Bevestig het koord van de kap om te voorkomen dat de kap van het instrument kwijtraakt. Raadpleeg [Afbeelding 45](#).

**Afbeelding 45** Koord van de kap aanbrengen

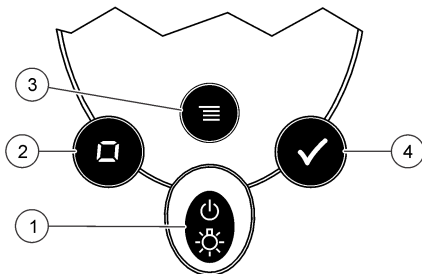


## Gebruikersinterface en navigatie

### Beschrijving toetsenbord

[Afbeelding 46](#) toont het toetsenbord en de functies van de toetsen.

## Afbeelding 46 Toetsenbord



<b>1 Aan/uit-toets/toets voor achtergrondverlichting:</b> schakelt de voeding in of uit. Houd 1 seconde ingedrukt om de achtergrondverlichting in of uit te schakelen.	<b>3 Menu-toets:</b> start of sluit de menumodus.
<b>2 Nul/scrol-toets:</b> stelt het instrument in op nul, scrolt door de menuopties en -nummers	<b>4 Toets voor meten/invoeren:</b> start een monstermeting, selecteert een menuoptie, beweegt de cursor naar het volgende cijfer

### Beschrijving van het display

[Afbeelding 47](#) toont de waarden en pictogrammen die op het display worden weergegeven.




## Afbeelding 47 Display




<b>1 Numerieke weergave:</b> gemeten waarde of menuopties	<b>4 Menupictogram:</b> het instrument bevindt zich in de menumodus.
<b>2 Bereikpictogram:</b> geselecteerd bereik of geselecteerde parameter	<b>5 Pictogram voor aanpassing kalibratie:</b> de standaard fabriekskalibratie werd aangepast of er werd een kalibratiecurve ingevoerd door de gebruiker. Raadpleeg de uitgebreide gebruikershandleiding op de website van de fabrikant.
<b>3 Bereikwaarde:</b> bereik(en) of parameters	<b>6 Pictogram voor batterij bijna leeg:</b> laadniveau van de batterij is 10 %. Knippert wanneer het batterijniveau te laag is om metingen uit te voeren.

## Bediening

### Het instrument configureren



1. Druk op .
2. Druk op  om door de menuopties te bladeren. Druk op  om een optie te selecteren.

#### Optie Omschrijving


- SEL** Stelt het meetbereik of de meetparameter in. Druk op  om tussen de meetbereiken en -parameters te wisselen.

## Optie Omschrijving

**00:00** Hier wordt het tijdstip ingesteld in 24-uurs indeling (hh:mm). Druk op ✓ om de taal te wijzigen. Druk op  om het eerste cijfer te wijzigen en vervolgens op ✓ om naar het volgende cijfer te gaan.

**rCL** Toont de laatste 10 geregistreerde metingen. Druk op ✓ om de geregistreerde metingen te tonen (01—meest recente meting, 10—oudste meting). Druk op ✓ om door de metingen te bladeren. Om een meting op nummer te selecteren, drukt u op  om het nummer te selecteren en vervolgens op ✓. Druk op  om deze optie te verlaten.

**SCA** Raadpleeg de uitgebreide gebruikershandleiding op de website van de fabrikant.

3. Druk op  om terug te gaan naar de meetmodus.

## Een test uitvoeren

### ▲ WAARSCHUWING



Gevaar van blootstelling aan chemicaliën. Volg alle laboratorium technische veiligheidsvoorschriften op en draag alle persoonlijke beschermingsuitrustingen die geschikt zijn voor de gehanteerde chemicaliën. Raadpleeg de huidige veiligheidsinformatiebladen (MSDS/SDS) voor veiligheidsprotocollen.



Hier volgen de standaard meetstappen die nodig zijn om een test uit te voeren. Raadpleeg de betreffende methode om een specifieke test uit te voeren.

1. Selecteer het toepasselijk meetbereik of de toepasselijke meetparameter. Raadpleeg [Het instrument configureren](#) op pagina 119.
2. Bereid de blanco voor op basis van het methodedocument. Zorg ervoor dat u een monsterkuvet met de juiste grootte gebruikt. Reinig de monsterkuvet en kap met de blanco voordat de monsterkuvet wordt gevuld.
3. Sluit de monsterkuvet en reinig de optische vlakken van de monsterkuvet met een pluisvrije doek.
4. Plaats de lege monsterkuvet in de meetschacht. Zorg dat de lege monsterkuvet in de correcte en consistente richting wordt geplaatst,



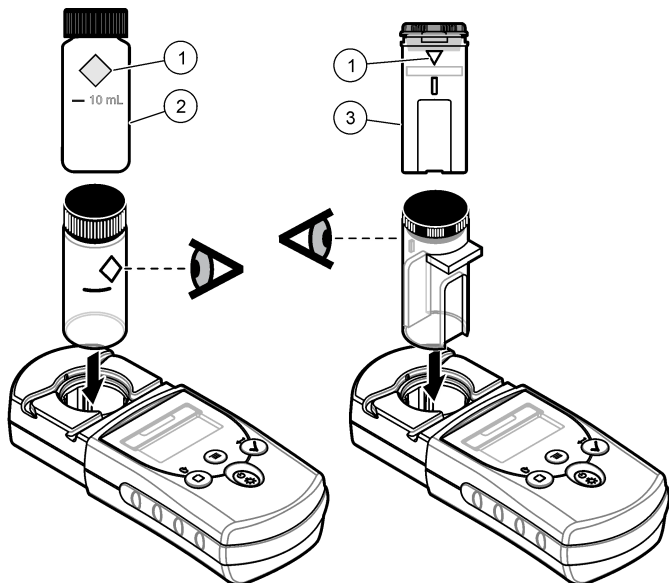
zodat de resultaten beter reproduceerbaar en nauwkeuriger zijn. Raadpleeg [Afbeelding 48](#).

5. Plaats de kap van het instrument over de meetschacht. Raadpleeg [Afbeelding 49](#).
6. Druk op  om het instrument op nul in te stellen. Het display geeft "0.000" weer of de resolutie die eerder was geselecteerd.
7. Bereid het monster voor. Reinig de monsterkuvet en kap met het monster drie keer voordat de monsterkuvet wordt gevuld. Voeg reagentia toe zoals in het methodedocument is aangegeven.
8. Sluit het monsterkuvet en reinig de optische oppervlakken van het kuvet met een stofvrije doek..
9. Plaats het monster in de meetschacht. Zorg dat de monsterkuvet in de correcte en consistente richting wordt geplaatst, zodat de resultaten beter reproduceerbaar en nauwkeuriger zijn. Raadpleeg [Afbeelding 48](#).
10. Plaats de kap van het instrument over de meetschacht. Raadpleeg [Afbeelding 49](#).
11. Druk op . Het display geeft de resultaten weer in concentratie-eenheden of absorptie.

**Opmerking:** Het resultaat knippert als het boven of onder het bereik van het instrument ligt.

12. Verwijder het geprepareerde monster uit de meetschacht.
13. Leeg en reinig de monsterkuvet onmiddellijk. Spoel de monsterkuvet en kap drie keer met demi-water.

## Afbeelding 48 Richting van de monsterkuvet

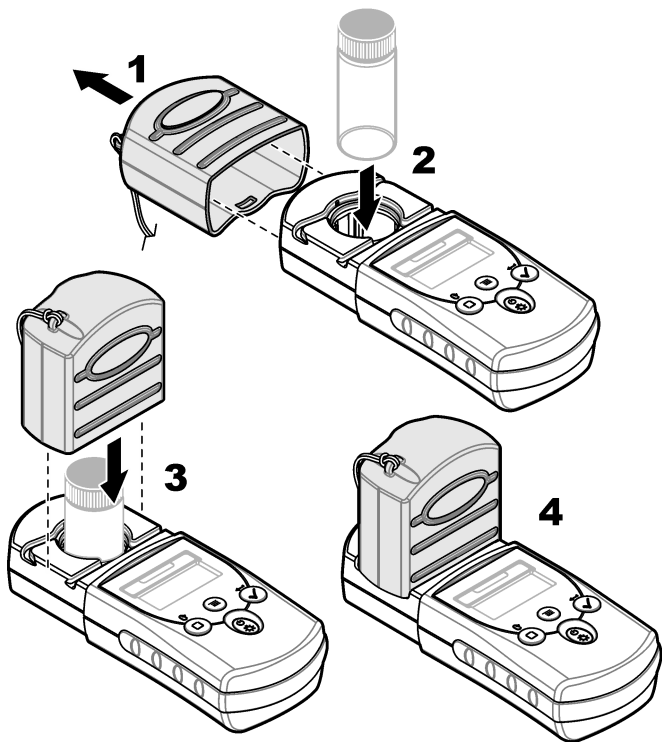


1 Richtingsteken

2 Monsterkuvet, 25 mm  
(10 ml)

3 Monsterkuvet, 1 cm  
(10 ml)

**Afbeelding 49** De kap van het instrument over de meetschacht plaatsen



### **De geregistreerde metingen weergeven**

Raadpleeg de "rCL"-optie in [Het instrument configureren](#) op pagina 119.

## Onderhoud

### ⚠ VOORZICHTIG



Diverse gevaren. Alleen bevoegd personeel mag de in dit deel van het document beschreven taken uitvoeren.

### LET OP

Haal het instrument niet voor onderhoud uit elkaar. Als er inwendige componenten moeten worden gecontroleerd of gerepareerd, neem dan contact op met de fabrikant.

## Reiniging van het apparaat

Reinig de buitenzijde van het apparaat met een vochtige doek en een milde zeepoplossing en veeg het apparaat vervolgens droog.

## De monsterkuvetten reinigen

### ⚠ VOORZICHTIG



Gevaar van blootstelling aan chemicaliën. Volg alle laboratorium technische veiligheidsvoorschriften op en draag alle persoonlijke beschermingsuitrustingen die geschikt zijn voor de gehanteerde chemicaliën. Raadpleeg de huidige veiligheidsinformatiebladen (MSDS/SDS) voor veiligheidsprotocollen.



### ⚠ VOORZICHTIG



Gevaar van blootstelling aan chemicaliën. Chemicaliën en afval dienen te worden afgevoerd in overeenkomst met de lokale, regionale en nationale voorschriften.

De meeste laboratoriumreinigingsmiddelen worden gebruikt in de aanbevolen concentraties. Bij regelmatig reinigen is het gebruik van neutrale reinigingsmiddelen, zoals Liquinox, veiliger. Verhoog de temperatuur of gebruik een ultrasoon bad om de reinigingstijden te verkorten. Spoel enkele keren met demi-water en laat de monsterkuvet aan de lucht drogen om de reiniging te voltooien. Monsterkuvetten kunnen ook met zuur gereinigd worden, gevolgd door grondig spoelen met demi-water.



**Opmerking:** Gebruik altijd zuur om kuvetten te reinigen die zijn gebruikt voor lage-concentratie-metaaltesten.

Speciale reinigingsmethoden zijn nodig voor afzonderlijke procedures. Zorg dat de binnenzijde van de monsterkuvetten niet bekrast raakt wanneer een borstel wordt gebruikt om monsterkuvetten te reinigen.

## Batterijen vervangen

Vervang de batterijen wanneer het laadniveau van de batterijen laag is. Raadpleeg [De batterijen plaatsen](#) op pagina 116.

## Problemen oplossen

Foutmelding	Omschrijving	Oplossing
E-0	Geen nul	In de gebruikerskalibratiemodus werd een standaardoplossing gemeten voordat het instrument op nul werd ingesteld. Meet een blanco-oplossing om het instrument op nul in te stellen.
E-1	Fout door omgevingslicht <sup>1</sup>	Er komt omgevingslicht in de meetschacht. Zorg ervoor dat de kap van het instrument volledig over de meetschacht is geplaatst.
E-2	LED-storing <sup>1</sup>	De LED (lichtbron) werkt niet. Vervang de batterijen. Zorg dat de LED in de meetschacht brandt wanneer er op  of  wordt gedrukt.

Foutmelding	Omschrijving	Oplossing
E-3	Fout bij aanpassen standaard	<ul style="list-style-type: none"> <li>• De gemeten waarde van de standaardoplossing is hoger dan de aanpassingslimiet. Bereid een nieuwe standaard voor.</li> <li>• De standaardoplossing bevindt zich niet in het concentratiebereik dat kan worden gebruikt voor aanpassing van de standaardkalibratie. Bereid een standaard voor met een waarde die in de buurt ligt van de aanbevolen concentraties die in de procedure worden gegeven.</li> <li>• Ga na of de concentratie van de standaardoplossing op de juiste manier is ingevoerd.</li> </ul>
E-6	Abs-fout	De absorptiewaarde is niet juist of de door de gebruiker ingevoerde kalibratiecurve heeft minder dan twee punten. Voer de absorptiewaarde opnieuw in of meet deze opnieuw.
E-7	Fout in standaardwaarde	De concentratie van de standaardoplossing is gelijk aan de concentratie van een andere standaardoplossing die al is ingevoerd in de door de gebruiker ingevoerde kalibratiecurve. Voer de juiste standaardconcentratie in.
E-9	Flash-fout	Het instrument kan geen gegevens opslaan.

Foutmelding	Omschrijving	Oplossing
Meetwaarde knippert	De meetwaarde is hoger of lager dan het bereik van het instrument. <sup>2</sup>	Als de meetwaarde lager is dan het bereik van het instrument, moet ervoor worden gezorgd dat de kap van het instrument volledig over de meetschacht is geplaatst. Meet een blanco. Als de blancowaarde niet nul is, moet het instrument opnieuw op nul worden ingesteld.
		Als de meetwaarde hoger is dan het bereik van het instrument, moet worden vastgesteld of er licht wordt geblokkeerd in de meetschacht. Verdun het monster. Voer de test opnieuw uit.
		Voor in de fabriek gekalibreerde programma's moeten de minimum- en maximumwaarden altijd gelijk zijn aan de in de fabriek gekalibreerde waarden en moeten ze niet veranderd kunnen worden.

- 1 Wanneer fout E-1 of E-2 zich voordoet tijdens een meting, toont het display “\_.\_.”. De decimale positie is afhankelijk van de chemicaliën. Als fout E-1 of E-2 zich voordoet terwijl het instrument op nul is ingesteld, moet het instrument opnieuw op nul worden ingesteld.
- 2 De knipperende waarde zal 10 % boven de bovenste limiet van het testbereik liggen.

## Reserveonderdelen

### ⚠ WAARSCHUWING



Gevaar voor letsel. Het gebruik van niet-goedgekeurde onderdelen kan leiden tot letsel, beschadiging van het instrument of onjuiste werking van apparatuur. De reserveonderdelen in dit hoofdstuk zijn goedgekeurd door de fabrikant.

**Opmerking:** Product- en artikelnummers kunnen verschillen per regio. Neem contact op met de desbetreffende distributeur of bezoek de website voor contactgegevens.

## Reservedelen

Beschrijving	Hoeveelheid	Artikelnr.
AAA-batterijen, alkaline	4/pkg	4674300
Koord van de kap	1	5955900
Kap van het instrument	1	5954800
Monsterkuvet, 25 mm (10 ml), met kappen	6/pkg	2427606
Monsterkuvet, 1 cm (10 ml), met kappen	2/pkg	4864302





**HACH COMPANY World Headquarters**

P.O. Box 389, Loveland, CO 80539-0389

U.S.A.

Tel. (970) 669-3050

(800) 227-4224 (U.S.A. only)

Fax (970) 669-2932

orders@hach.com

www.hach.com

**HACH LANGE GMBH**

Willstätterstraße 11

D-40549 Düsseldorf, Germany

Tel. +49 (0) 2 11 52 88-320

Fax +49 (0) 2 11 52 88-210

info@hach-lange.de

www.hach-lange.de

**HACH LANGE Sàrl**

6, route de Compois

1222 Vézenaz

SWITZERLAND

Tel. +41 22 594 6400

Fax +41 22 594 6499